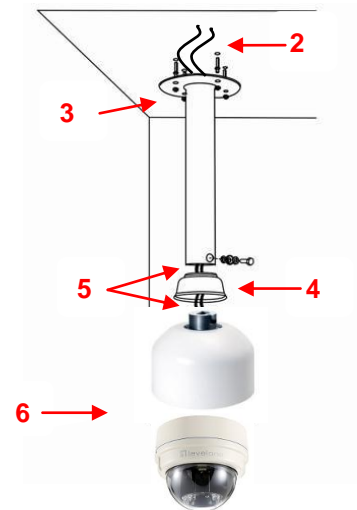
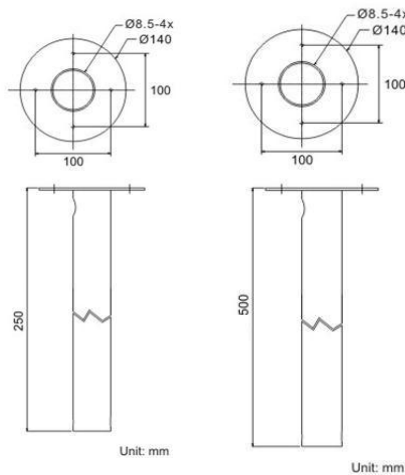




CAS-3241 Straight Tube 25cm

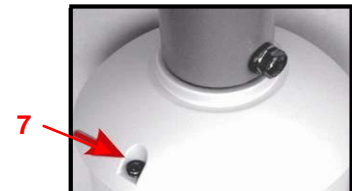
CAS-3242 Straight Tube 50cm

Product Guide:



Package Contents:

Straight Tube
with M8x12 screw x1
spring washer-8 x1
pendent tube washer x1
rubber washer-8 x1
waterproof rubber x1



Installation steps:

1. Ensure that the ceiling can support the weight of the Dome Camera and Straight Tube.
2. Make a cable entry hole on the ceiling.
3. Fix the suspension bracket to the ceiling with proper screws and screw anchors.
4. Thread the cables through the Straight Tube and the Mounting kit.
5. Fix the Mounting Kit to the Straight Tube with the supplied screws and washers.
6. Connect the cables to the Dome Camera.
7. Mount the Dome Camera to the Mounting Kit. (Ensure the Dome Camera is fixed completely, and the thread holes on the Lock Screw Plate and Mounting Kit are aligned). Afterwards, screw the supplied M5 standard screw / security screw, as shown in the picture.