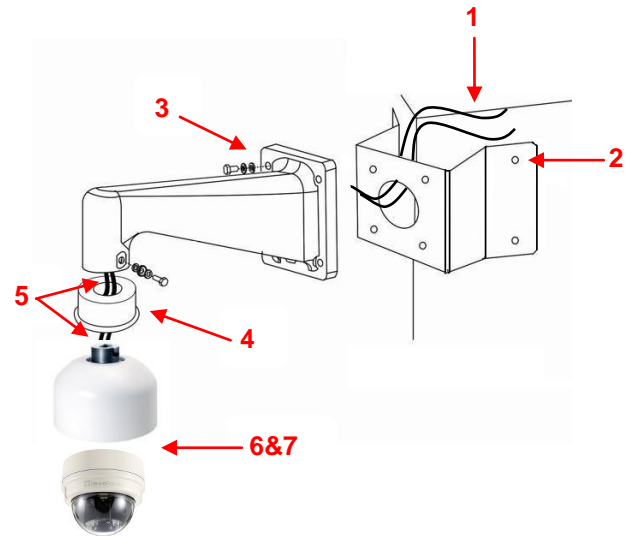
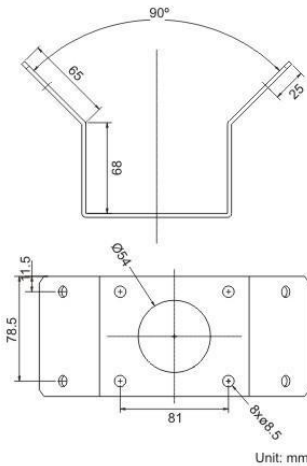




## CAS-3221 Corner Plate Mini

### Product Guide:



### Package Contents:

- CAS-3221
- with washer-8 x4
- spring washer-8 x4
- M8x16 screw x4
- M8 nut x4

### Installation steps:

1. Make a cable entry hole on the wall to recess the cable(s).
2. Fix the Corner Plate Mini on the corner of the wall with proper screws and screw anchors. Then run the cable(s) through the hole on the Corner Mounting Plate.
3. Fasten the CAS-3201 Mini Pendant (Optional Accessories) Mount onto the Corner Plate Mini with the supplied screws and washers. Then thread the cable(s) through the CAS-3201 Mini Pendant (Optional Accessories) Mount with the cable(s) coming out of the Pendant Mount's outlet.
4. Attach the Waterproof Rubber to the CAS-3201 Mini Pendant (Optional Accessories).
5. Thread the cable(s) through the Corner Plate Mini and join the Corner Plate Mini to the CAS-3201 Mini Pendant (Optional Accessories) Mount with the supplied screws and washers. Then adjust the Waterproof Rubber to the joint.
6. Connect the cable(s) to the Dome Camera.
7. Join the Dome Camera to the Corner Plate Mini with the supplied screw and washers.