



BOH-1100 Box-type Outdoor Housing Quick Installation Guide

CHECK YOUR PACKAGE CONTENTS

The carton should contain the following items:

- BOH-1100
- Camera Bracket
- Screw Kit
- Quick Installation Guide

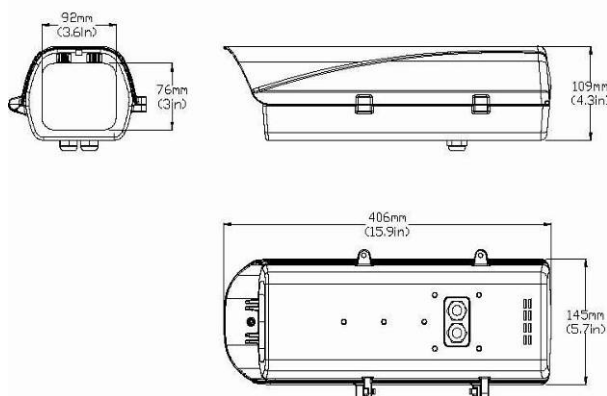
If any item is found missing or damaged, please contact your local reseller for replacement.

INTRODUCTION

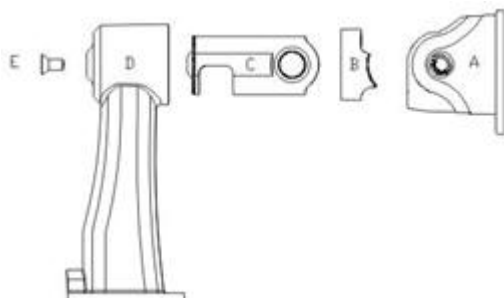
The BOH-1100 is constructed from die casting aluminum with environmental protection to level IP66. There is a fan and heater included.

Fan would operate once the temp. is over 35°C and would stop once the temperature is under 25°C again.

Heater would operate once the temperature is under 15°C and would stop once the temperature is over 25°C again.



406mm(L) x 145mm (W) x 109mm (H)
Windows 76mm x 92mm



All tightened by E Screw.

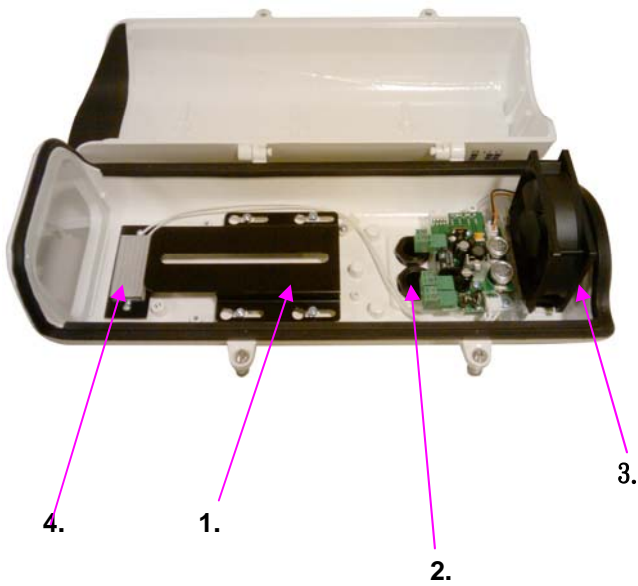


INSTALL HOUSING WITH BRACKET



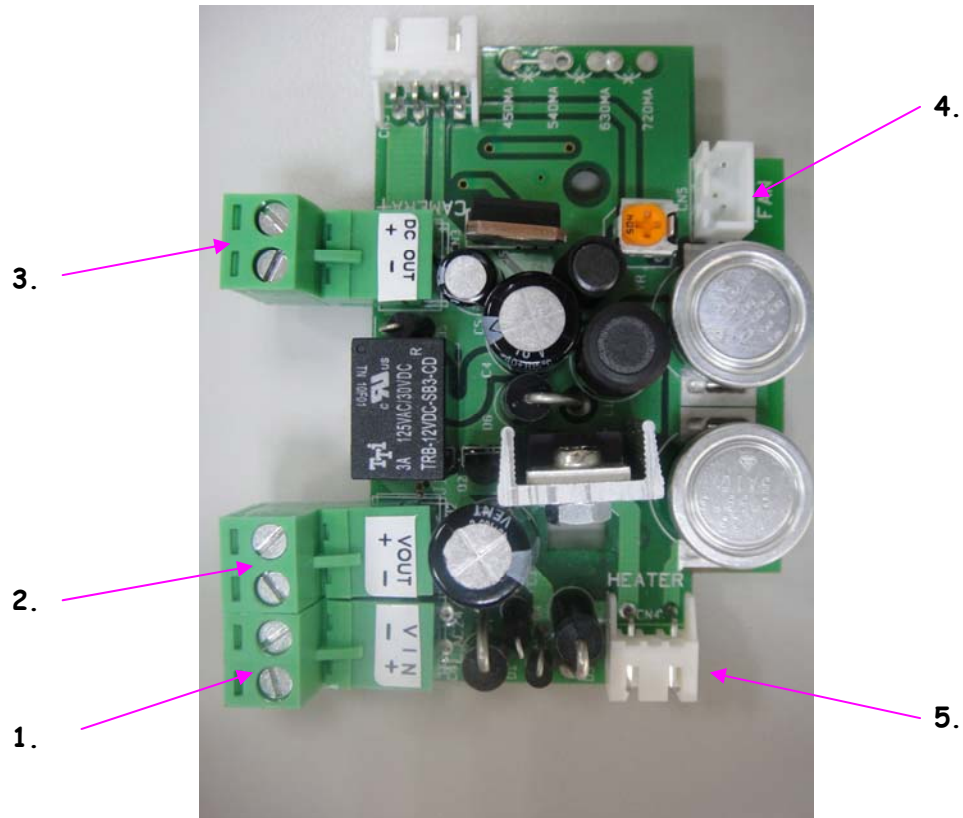
Lock 4 mounting holes with screws on the bottom side.

INSIDE THE HOUSING



1. Camera mounting platform
2. Cable Conduits
3. Fan
4. Heater

Power Relay Board:



1. Power input DC12V/2.5A or AC24V/2.5A
2. Power output DC12V/2.5A or AC24V/2.5A
3. DC12V power output for camera
4. Power supply to fan
5. Power supply to heater

Note:

- AC and DC power can NOT operate simultaneously.
- Please note the difference between positive and negative terminals when connecting power.
- Default camera housing package don't include power adapter
- when use the optional power adapter to connect the PCB of the housing , you have to cut adapter's power line to plug by manually