

USB-0100TX
USB Fast Ethernet Converter

User's Guide

FCC Warning

This equipment has been tested and found to comply with the regulations for a Class B digital device, pursuant to Part 15 of the FCC Rules. These limits are designed to provide reasonable protection against harmful interference when the equipment is operated in a commercial environment. This equipment generates, uses, and can radiate radio frequency energy and, if it's not installed and used in accordance with this user's guide, may cause harmful interference to radio communications. Operation of this equipment in a residential area is likely to cause harmful interference, in which case the user will be required to correct the interference at his own expense.

CE Mark Warning

This is a Class B product. In a domestic environment, this product may cause radio interference, in which case the user may be required to take adequate measures.

Table of Contents

INTRODUCTION	4
ABOUT THE USB-0100TX USB FAST ETHERNET CONVERTER.....	4
PRODUCT FEATURES.....	4
INSTALLATION.....	5
ASPECT DESCRIPTION	5
HARDWARE & SOFTWARE INSTALLATION.....	5
LED INDICATORS.....	6
USB CONNECTOR PIN ASSIGNMENT	7
SPECIFICATIONS.....	8

INTRODUCTION

Thanks for purchasing of the USB-0100TX USB Fast Ethernet Converter. This Converter will allow your computer to connect to 10Mbps Ethernet or 100Mbps Fast Ethernet Network through USB interface.

About the USB-0100TX USB Fast Ethernet Converter

The USB-0100TX USB Fast Ethernet Converter allows user to connect up to 10Mbps Ethernet or 100Mbps Fast Ethernet Network through their USB ready PC.

The USB-0100TX USB Fast Ethernet Converter is designed to provide quicker and easier access to a type 'A' plug for connecting to USB Hub or the PC's USB port, the RJ-45 Ethernet Port for connecting to 10Mbps Ethernet or 100Mbps Fast Ethernet Network.

Product Features

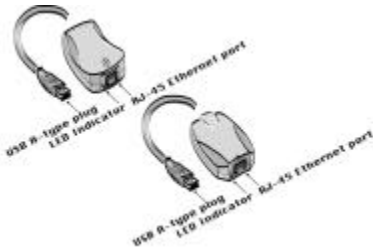
- USB 1.0, 1.1 specification
- IEEE 802.3 10BASE-T Ethernet, IEEE 802.3u 100BASE-TX specification
- ANSI/IEEE 802.3 NWay Auto-negotiation
- Plug-and-Play
- Supports Bus-power mode. No external

- power needed.
- One dual color LED indicator for Ethernet port status.

INSTALLATION

The USB-0100TX USB Fast Ethernet Converter is designed to be simple and easy install.

Aspect Description



Hardware & Software Installation

Step-1: Make sure the PC is power on and running Windows 98

Step-2: Connect to converter to a 10Mbps, 100Mbps or 10/100Mbps Hub through RJ-45 Ethernet Port.

Step-3: Insert USB A-type plug of the converter to PC's USB port.

Step-4: Windows 98 will show a “**New Hardware Found**” window. Click “**Next**”

Step-5: Put the USB-0100TX USB Ethernet Converter driver program diskette into Drive A and select “*Search for the best driver for your device (Recommended)*”. Click “**Next**”

Step-6: Windows 98 will ask you to indicate the best driver. Make sure the floppy disk driver is selected and drive **a:** is specified. Click “**Next**” to continue.

Step-7: Windows 98 will search the specified driver and start to download the files. Click “**Next**” to Continue.

Step-8: When Windows 98 finish the driver installation, click “**Finish**” button.

Step-9: Then Windows will ask you to restart your computer. Click “**Yes**” to restart computer..

LED Indicators

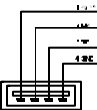

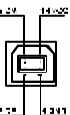

The USB-0100TX USB Fast Ethernet Converter is equipped with LED indicator:

LAN Port status LED:

This indicator green when the port is connected to 100Mbps Fast Ethernet Hub, if the Converter to which the hub is connected is powered off, or

if there is a problem with the link, the LED will remain off. When the indicator blinking green when the data will be received to the 100Mbps Fast Ethernet port. Otherwise, This indicator amber when the port is connected to 10Mbps Ethernet Hub, if the Converter to which the hub is connected is powered off, or if there is a problem with the link, the LED will remain off. When this indicator blinking amber when the data will be received to the 10Mbps Ethernet port.

USB Connector Pin Assignment

	
<p>Receptacle A</p>	<p>Series-A Plug</p>
	
<p>Receptacle B</p>	<p>Series-B Plug</p>

SPECIFICATIONS

Standards:	USB Specification V.1.0V.1.1 IEEE 802.3 Ethernet Specification IEEE 802.3u Fast Ethernet Specification ANSI/IEEE Std 802.3 NWay auto-negotiation
Data Speed:	USB:12Mbps, Ethernet: 10Mbps
LED indicators:	Green: 100Mbps Fast Ethernet Link/Rx Amber: 10Mbps Ethernet Link/Rx
USB Port:	Series-A Plug x 1
Ethernet Port:	RJ-45 10BASE-T port x 1
EMI Compatibility:	FCC Class B, CE Class B, VCCI-II
Dimensions:	65 x 48 x 28 mm
Storage Temperature:	Storage: -25°C ~ 70°C Operation: 0°C ~ 50°C
Humidity:	Storage: 10% ~ 90%
(non-condensing)	Operation: 10% ~70%
Power Consumption:	1.2 Watts (maximum)