

HVE-0201

HDMI Extender via Fiber Channel

User Manual

V1.0

Introduction

LevelOne HVE-0201 HDMI extender uses 2 cores fiber without any copper wire inside, where radio frequency interference phenomenon is literally ruled out, which shows the advantage of high performance and good signal quality as well as low cost. Optical fiber is of low dispersion, which in turn has the strength of longer signal transmission distance and better signal transmission quality in comparison to the traditional copper wire cable.

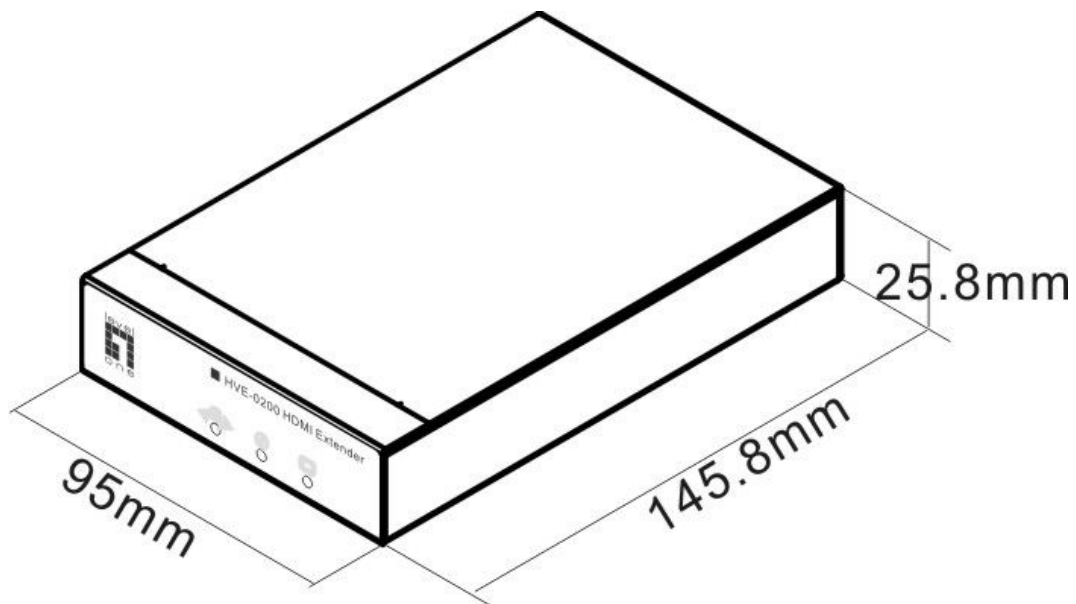
Feature

- Long distance video and audio transmission
- High resolution and image quality
- Supports resolution 1920 x 1080, up to 200m
- HDCP fully compliant without copper wire
- No RF Interference by optical fiber
- HDMI Type A connection

Package Content

- HVE-0201 (RX+TX)
- Power Adapter (DC5V, 1.0A)
- HDMI Cable
- User Manual

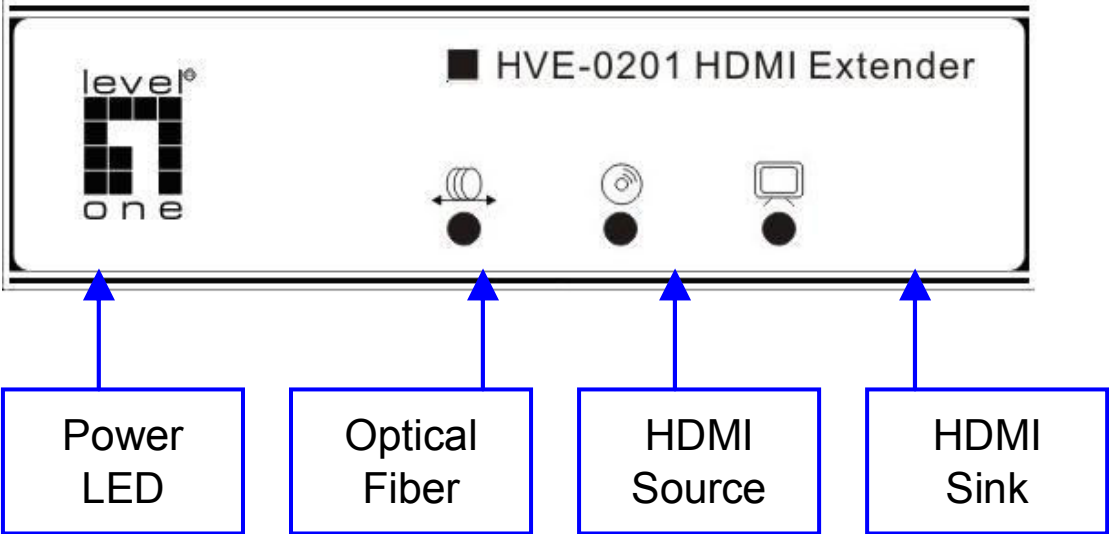
Hardware Description



Dimension / Weight

95 x 145.8 x 25.8mm (W x D x H), 400g

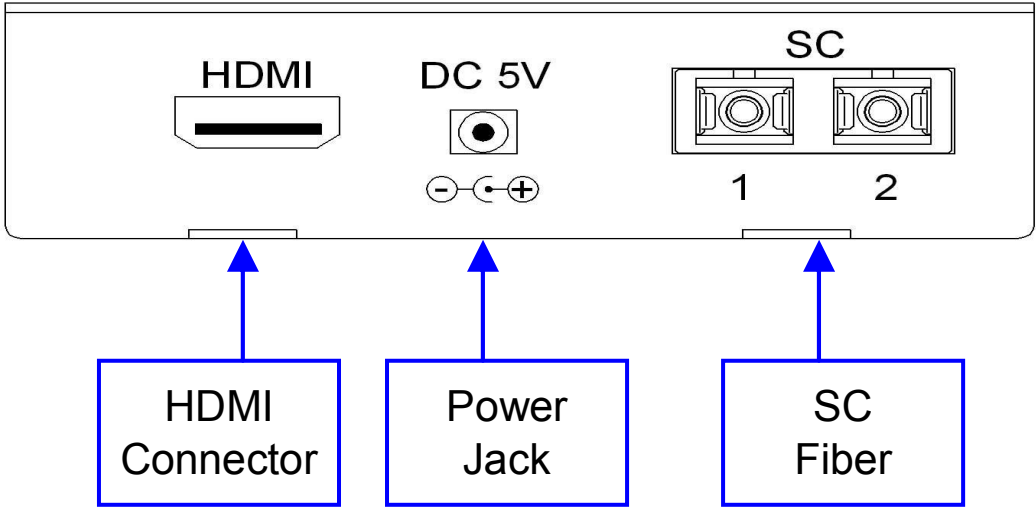
Front Panel



Note:

Signal between **Source** and **Sink** also referred to as the source(TX) and receiving(RX) devices

Rear Panel



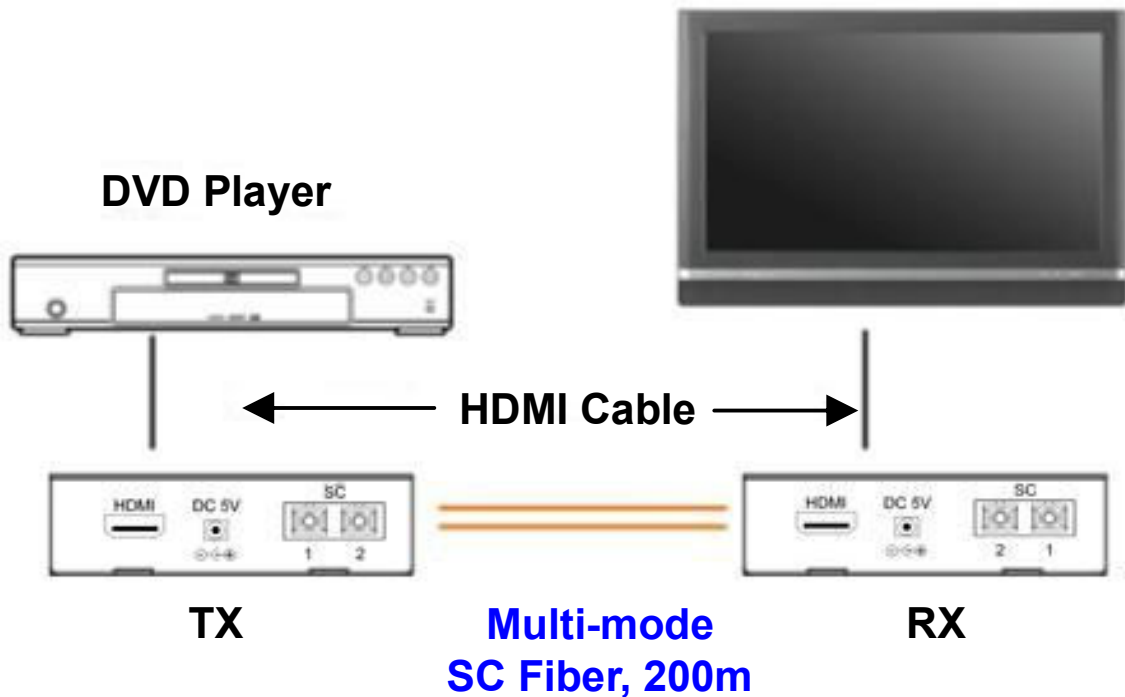
Installation

1. Put 'TX' module near to HDMI signal source, such as DVD players or computers.
2. Put 'RX' module is near to HDMI sink, such as LCD TVs or Projectors.
3. Connect two place by using multimode fiber of 2 cores.
4. Scour the all end face of fibers. (See Note 1)
5. Plug in the fibers according to the indicated number. The '1','2'.
6. Plug in the 5V adapter to the electricity and TR/RX modules.
7. Link TX module to HDMI source by a HDMI cable. (See Note)
8. Link RX module to HDMI sink by a HDMI cable. (See Note)

Note

1. Clean end face of fiber before plugging in. The dust will cause damage to the fiber.
2. The length of HDMI cable should be NOT longer than 2 meters.
3. These three figures in front of the modules represent linking status. These 3 LEDs blaze green if all setup is complete and correct. The left one stands for the connection of fiber. The middle one stands for the connection of HDMI source. The right one stands for the connection of HDMI source.

Connection Diagram



System Requirement

- HDMI Source (DVD player or PC)
- HDMI Sink (Monitor or Projector)
- 100~240VAC 50~60Hz 0.2A electricity

Technical Specification

Model	HVE-0201
Max Length	200M, 62.5, 50/125 MMF 2-SC
Max Resolution	1920 × 1080
HDCP Compliant	Yes
CEC Compliant	Yes
Max Power Consumption	TX: 5V 3W, 600mA RX: 5V 3W, 600mA
Power	DC 5V, 1.0A
Dimension	95 x 145.8 x 25.8mm (W x D x H)
Weight	400g
Operating Temp.	0°C to 50°C
Storage Temp.	-20°C to 75°C
EMI	CE, FCC

