

18 dBi Directional Yagi Outdoor Antenna

LevelOne's WAN-2118 18dBi directional antenna is designed for outdoor mid-range distance, point-to-point wireless connections. With WAN-2118, you can improve signal strength/quality and increase signal coverage for an existing 802.11b/g 2.4GHz wireless local network in concentrated directions.

This antenna offers high gain in a low profile package. With the included metal bracket, you can fasten WAN-2118 on the wall or a pole to achieve the best wireless coverage. Using the N-Type connector or the included conversion adapter to connect a variety of wireless devices. The surge protector prevents these wireless units from being damaged by lightning-infused surge or static electricity. In addition the waterproof surface keeps the antenna workable in any rugged environment.

This antenna kit comes with antenna, one 1m UL-168 extension cable, 3m HD-400 extension cable, surge protector and mount bracket. WAN-2118 has been tested for interoperating with LevelOne's indoor/outdoor wireless access point and other wireless products equipped with reverse SMA Male connector or N-Type antenna connector.



WAN-2118

Related Products



WAB-1000
Wireless Outdoor AP Bridge



WAB-2000A
108Mbps Wireless Mesh
Outdoor AP Bridge

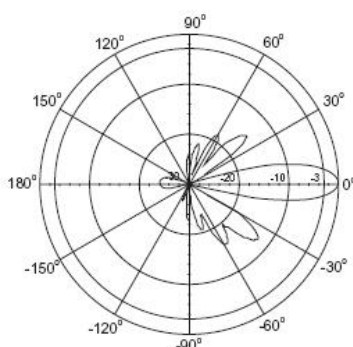


OAN-2080
8dBi omni-directional Outdoor
Antenna Kit

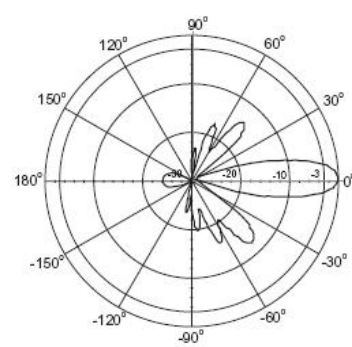
Key Features

- Supports for 802.11b/g 2.4GHz Wireless applications
- Provides stable signals and extends coverage
- Surge protector prevents these wireless units from being damaged by lightning-infused surge or static electricity
- Easy to install on wall surface
- Directional operation
- With ULA-168 1m cable for wireless device (N-type male to RSMA female)
- With HD-400 3m cable for wireless device (N-type female to N-type male)

Radiation Patterns



V-Plane Co-polarization Pattern



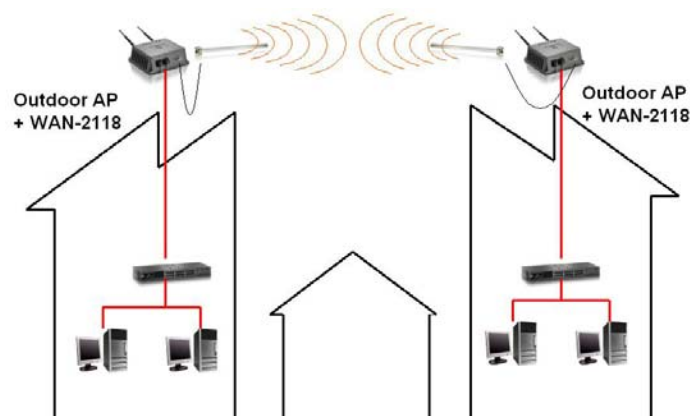
H-Plane Co-polarization Pattern

Technical Specification

Electrical Specification	
Frequency Band	2400MHz – 2500MHz
Gain	18 dBi
VSWR	1.5:1 Max
Polarization	Linear, Vertical
HPBW / V	15°
HPBW / H	15°
Front to back ratio	25 dB
Power Handling	10W
Impedance	50 Ohms
Connector	N Jack
Environmental & Mechanical Characteristics	
Survival wind speed	180 km/ hr
Temperature	-40°C - +80°C
Humidity	95% @ 25°C
Mechanical	+10 -- -15
Radome Material	Gray
Radome material	ABS, UV resistant
Weight	0.9 Kg
Dimension	89mm x 50mm x 1000mm

Product Diagram

Outdoor Long Range Application



Ordering Information

- WAN-2118: 18dBi Directional Yagi Outdoor Antenna
 - 1x 1m ULA168 cable; N-type(male) to RSMA(female)
 - 1x 3m HD-400 cable; N-type(Female) to N-type(Male)
 - Surge Protector
 - Water proof tape
 - Mount Kit *

* Warning: Mounting screw torque: maximum 55 kgf-cm. Use torque wrench to assemble mounting is strongly recommended