



## 8-port Mid-Span POE Hub



POH-0850TX

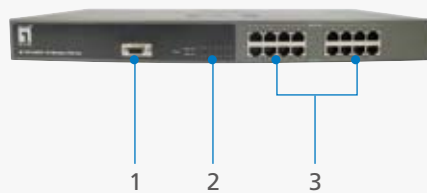
H/W Version: 1

LevelOne's 19" Mid-Span POE hub is equipped with 8 RJ-45 ports featuring POE function to eliminate the bulky power cable need while implementing your network infrastructure thus allowing greater flexibility in the locating of network devices and significantly decreasing installation costs.

The product is fully compliant with the IEEE 802.3af standard and acts as a patch panel between a switch and other network devices to provide power and data on the existing standard Cat5 Ethernet cable. There is no need to replace your original Ethernet equipment to realize the advantage of POE. The remote power feeding can up to 100 meters. Your network devices can be installed in more appropriate position for better performance.

The embedded software utility provides GUI interface allowing you easily to configure and manage this device including auto detecting PD and power consumption, resetting the appliance remotely and providing the power central management (e.g. UPS backup system).

The compact 19", 1U rack-mountable design enables the switch to be easily located in a server room or computer lab in order to centralize power management and simplify network integration for various applications. For all the functions featured in POH-0850TX, people can get the benefits of flexible network solutions that can simplify the installation of wireless AP, network camera systems and other devices or applications in the network.



1. Console Port
2. LED
3. 10/100Mbps PoE Port
4. Power Input
5. Power On/Off Switch

### Key Features

- 8 ports Power Over Ethernet Hub
- IEEE 802.3af compliance
- Auto detect PD and power consumption
- Support power management function
- Per power port control/ status/ parametric information manage
- Remote power feeding up to 100 meters
- Centralized power distribution for POE powered Device (PD)
- High safety short circuit protection
- Power management information auto recover
- 19" Rack mountable size

### Works Well With



**POS-1000**  
PoE Splitter



**POI-2000**  
PoE Injector

## Technical Specifications

### Standard Conformance

IEEE 802.3af Power over Ethernet

### Data in Connector

8 x RJ-45,

Data pin : 1,2,3,6

### Data and power out Connector

8 x RJ-45.

Data pin:1,2,3,6,

Power pin(V+): 4,5

Power pin(V-): 7,8

### Power management function

Per port power feeding control

Power device detection

Power device classification control

Power sampling control

Power device discovery

PD discovery Resistor adjustable

Auto detect port status

### PoE output

Per port DC 48V@350m A (Maximum)

Per System 125 Watts (Maximum)

### LEDs

System Power

Per port: power forwarding, power off

### Power

AC 100~240V, 50/60 Hz, 130 Watts,

IEC power socket with fuse and power switch

### Power consumption

130 Watts (maximum)

### Cooling

2 x DC fans

### Operation Temperature

0°C~40°C

### Humidity

10%~90%, (non-condensing)

### Dimensions

440mm(L)\*224mm(W)\*44mm(H)

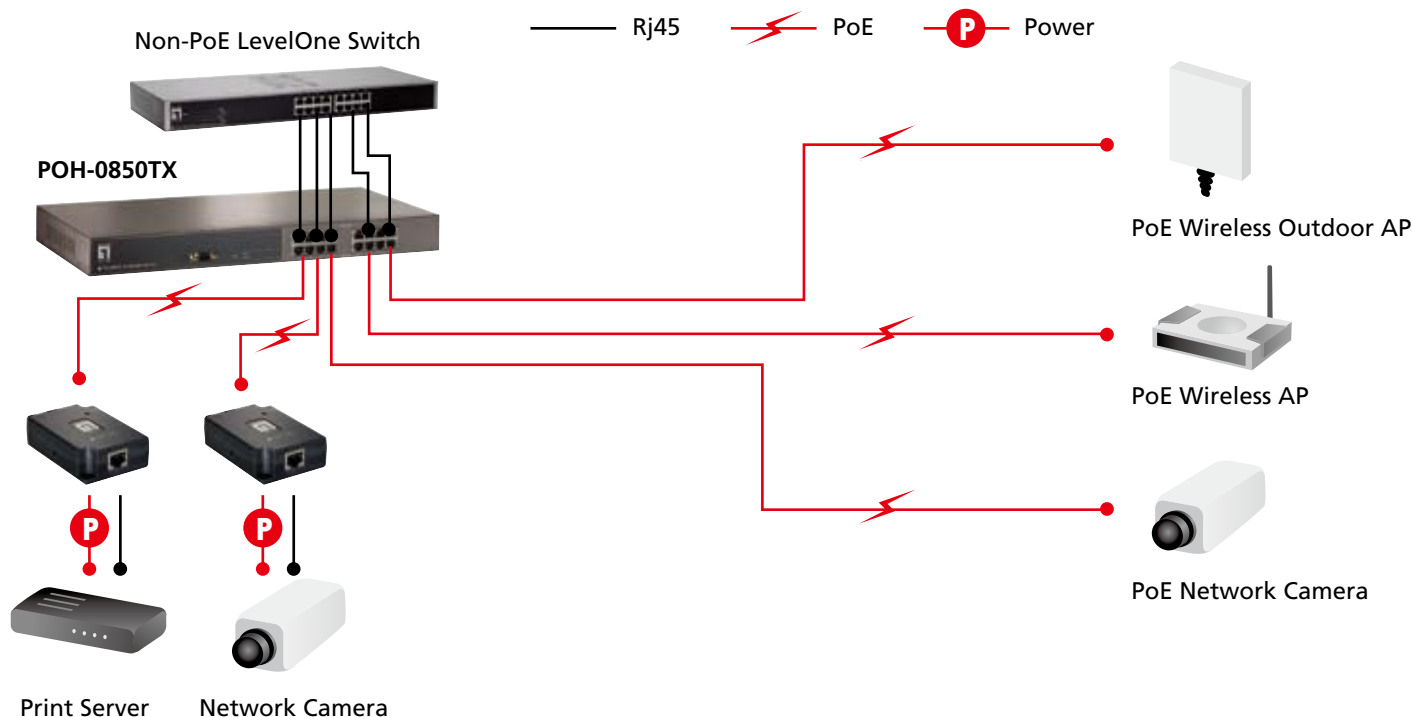
### Certification

FCC Class A, CE

### Weight

2.7kg

## Product Diagram



## Order Information

**POH-0850TX:** 8-port Mid-Span POE Hub

## Package Contents

POH-0850TX, CD Manual/Utility, RS-232 Cable, Power Cord