



# 200Mbps Powerline Adapter with Mains Pass-Through



PLI-3510

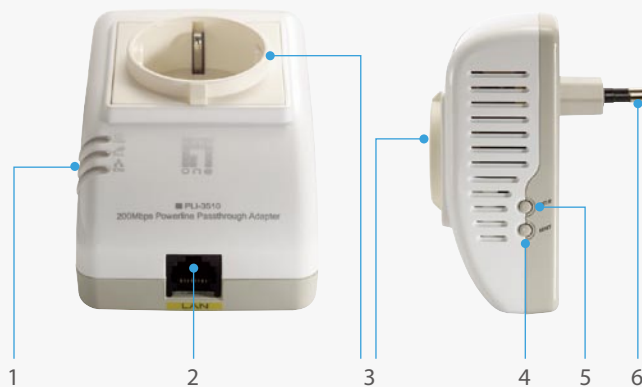
## H/W Version: 1

The LevelOne PLI-3510 Powerline Pass-Through Adapter is a high-definition cost-effective Ethernet adapter which allows home and office users to build-up a speedy data network over the existing electrical wiring. It is ideal for users who have different workgroups located in different parts of the home or office.

The LevelOne PLI-3510 supports 128-bit AES encryption which protects the Powerline communication from attacks and interferences. A

power saving mode is implemented, and if there is no link activity on Ethernet port for a period, the adapter will automatically switch to "standby" mode and reduces the power consumption.

The LevelOne PLI-3510 is a fast, simple, and cost effective alternative to installing expensive Ethernet cables through your home or office. In addition, the PLI3510 is equipped with an AC Pass-Through power socket which ensures that no electrical outlet will get lost by using the adapter.



1. LED Indicators
2. RJ-45 Ethernet Port
3. Power Socket
4. Reset Button
5. Security Button
6. Power Plug

## Key Features

- Complies with IEEE 802.3, 802.3u and HomePlug AV1.0 Standard
- Speed: 200Mbps transmission rate
- Uses existing electrical wiring system
- Secured 128-bit AES encryption for enhanced network protection
- Supports IGMP managed multicast IP transmission
- Supports hardware security button
- Extra power outlet with noise filter (max. 16Ampere)
- Cost-effective Ethernet solution without wiring expenses
- Supports LevelOne Green Technology

## Works Well With



**PLI-3411**  
200Mbps Powerline Wireless Access Point



**WBR-6601**  
150Mbps Wireless ADSL2+ Modem Router

## Technical Specification

### Computer Interface

IEEE 802.3 ; IEEE 802.3u

### Standards

HomePlug AV

### Network Interface

One RJ-45 (10/100Base-T Ethernet) support 200Mbps Power Line Port

### Security

128-bit AES Link Encryption with Key Management

### Software

Utility for Microsoft Windows 98 SE, ME, 2000, XP, and 32-bit Vista, 7

### Data Transfer Rate

200 Mbps over Powerline and 10/100Mbps over Ethernet

### Modulation Schemes

OFDM Symbol Modulation on Line synchronization

1024/256/64/16/8 - QAM, QPSK, BPSK, ROBO Carrier Modulation

### Frequency Band

2 ~ 30 MHz

### Operation Range

Estimated range of 300m in wall power lines

### Cabling

100Base-T Cat. 5e or above UTP cable

### Operating Temperature

0°C to 40°C

### Storage Temperature

-20°C to 70°C

### Humidity

10% to 90% (non-condensing)

### Power Input

100 ~ 240V @ 50/60Hz Internal

### Power Save

Standby Mode &gt;1W

### Housing

Plastic (115mm x 67mm x 29.5mm)

### Software Utility

Device Detect/Diagnostic, NEK Password Setup for Local and Remote Device Windows 2000, ME, NT, XP, or Vista, 7 for Initial Setup

### LED

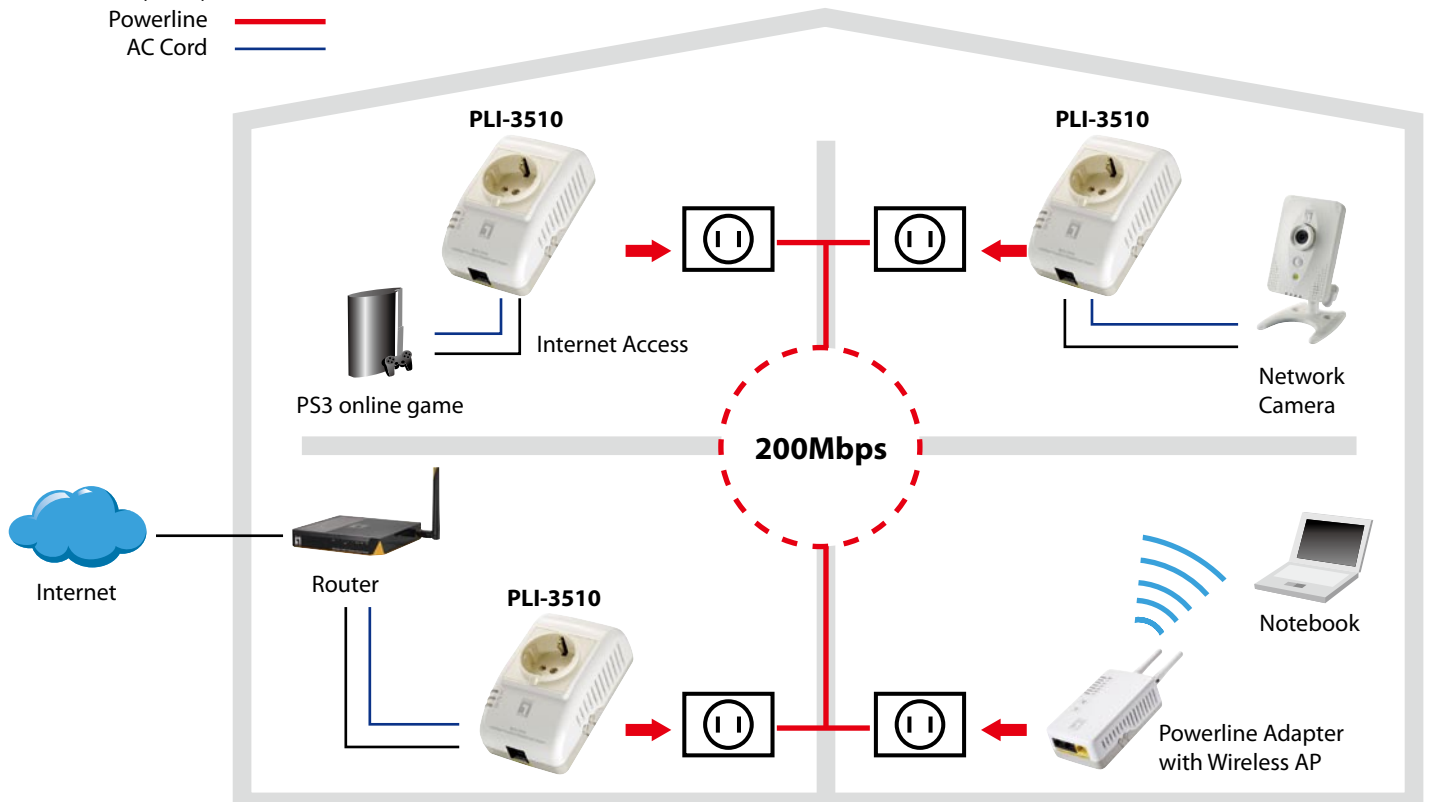
PWR – Power; PLC - Power Line Activity LED; ETH - LAN Link Activity LED

### Certifications

CE/FCC/ HomePlug Certification

## Product Diagram

Ethernet Cable (RJ-45) ———  
 Powerline ———  
 AC Cord ———



## Order Information

**PLI-3510:** 200Mbps Powerline Adapter with Mains Pass-Through

## Package Contents

PLI-3510, LAN Cable, Quick Installation Guide, CD Manual/QIG/Utility

All mentioned brand names are registered trademarks and property of their owners. Technical specifications are subject to change without notice.