



6 GE + 2 GE Combo SFP L2 Managed Switch



GSW-0890

H/W Version: 2

LevelOne GSW-0890 is a perfect solution for young and dynamic Offices with small network user groups. The GSW-0890 provides Gigabit and Fiber Optic connection possibilities that enable a high-speed networking environment with long range connectivity to remote located networks.

It supports SNMP, Web UI and CLI management interfaces and is equipped with 8 Gigabit TP ports of which 2 are dual media ports that can accommodate optional 10/100/1000Base-T or SFP modules. The GSW-0890 further implements QoS (Quality of Service), Mac Filtering Policy, Port Mirror, VLAN and full Layer 2 protocol.

Dual Media Port Support

The GSW-0890 provides shared dual media port support on ports 7 and 8 for more flexible fiber connectivity. SFP transceiver modules can be connected to provide short, medium and long distance fiber backbone capability.

QoS with Layer 4 Classification Support

The switch provides support for Layer 2 802.11p Priority Queue control as well as programmable higher layer classification and prioritization to enable enhanced Quality of Service (QoS) support for real time applications based on information taken from Layer 2 to 4, such as VoIP and Real-time video streaming applications.

802.1D & 802.1w Rapid Spanning Tree Compatible

For mission critical environments with multiple switches supporting STP, you can configure the switches with a redundant backup bridge path, so transmission and reception of packets can be guaranteed in the event of any switch failure on the network.

Broadcast/Multicast Storm Control

To limit too many broadcast/Multicast flooding in the network, broadcast/multicast storm control is used to restrict excess traffic. Threshold values are available to control the rate limit for each port. Packets are discarded if the count exceeds the configured upper threshold.

Key Features

- Complies with IEEE802.3, IEEE802.u, IEEE802.3ab and IEEE802.3az standard
- High Performance Architecture and Advanced Network Features
- SFP Port provides flexible Fiber connection
- Support port-based 802.1q tag-based and private VLAN
- Support Q-in-Q VLAN for performance & security to expand the VLAN space
- Support MAC based 802.3ad LACP with automatic link fail-over
- Support 802.1x Access Control to improve your network security
- IEEE802.1d and 802.1w rapid spanning tree can create a redundant backup bridge path for mission critical environment
- supports telnet, CLI and Web-based management

Relate Products

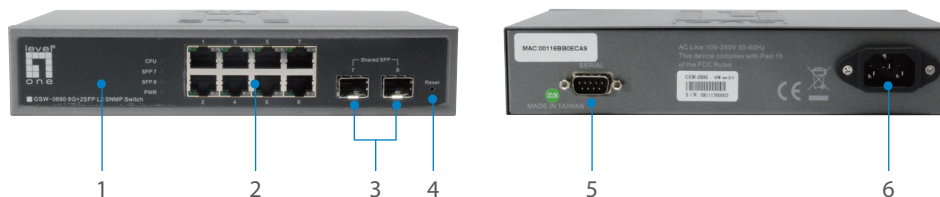


GEL-2870
28 GE with 4 Combo SFP L2 Managed Switch



GSW-2693
24 FE PoE + 2 GE with 2 Combo SFP L2 Managed Switch

Front View and Rear View



- 1.LED Indicators
- 2.10/100/1000Mbps RJ-45 LAN Ports
- 3.SFP (Mini-GBIC) Slot

- 4.Reset Button
- 5.RS-232 DB-9 Connector
- 6.Power Socket

Technical Specifications

Standard Compliance

- IEEE 802.3 10-BASE-T (Ethernet)
- IEEE 802.3u 100-BASE-TX (Fast Ethernet)
- IEEE 802.3ab 1000BASE-T (Gigabit Ethernet)
- IEEE 802.3x flow control capability
- IEEE 802.1q VLAN
- IEEE 802.1p QoS

Performance

Switching Capacity:

- 8 Gigabit Ethernet ports with non-blocking wire speed performance
- 8 K MAC addresses
- 144KB on-chip frame buffer
- Supports Jumbo frame, up to 9K
- Broadcast/Multicast Storm Suppression
- Port Mirroring

VLAN

- Port-base VLAN
- IEEE802.1q tag-base VLAN, up to 256 active VLANs
- Q-in-Q is an efficient method for enabling Subscriber Aggregation.

VSM (Virtual Stacking Management)

Up to 16 Switches can be managed via Single IP
Virtual stacking, no extra stacking hardware is required
Distributed stack, no physical central wiring closet is needed

QoS

Supports Layer 4 TCP/UDP port and ToS classification
Supports 802.1p QoS with two level priority queue
Supports priority in a Q-in-Q tag Bandwidth Control

Bandwidth Control

Supports bandwidth rating per port ingress and egress rate limit with 1000Mbps with 1Mbps increment
STP/RSTP
802.1d/1w/1s STP

Technical Specifications

LED Indication

System LED, Port activity LED and Gigabit SFP Module LED

Network Interface

10/100/1000Mbps TP Jack for RJ-45 type Cat.5 cabling
1000Mbps SFP Module for fiber optic cabling

Cabling and Length

1000Base-SX SC M-M

Up to 220/275/500/550m depending on Multi-Mode Fiber type

1000Base-LX SC S-M

Single-Mode fiber cable up to 10/30/50km

Protocol

LACP

Port trucking with 4 trunking groups
Up to 8 ports for each group

GVRP/GARP

802.1q with GVRP/GARP

Multicasting

Support IGMP snooping including active and passive modes

STP/RSTP

802.1d/1w/1s STP

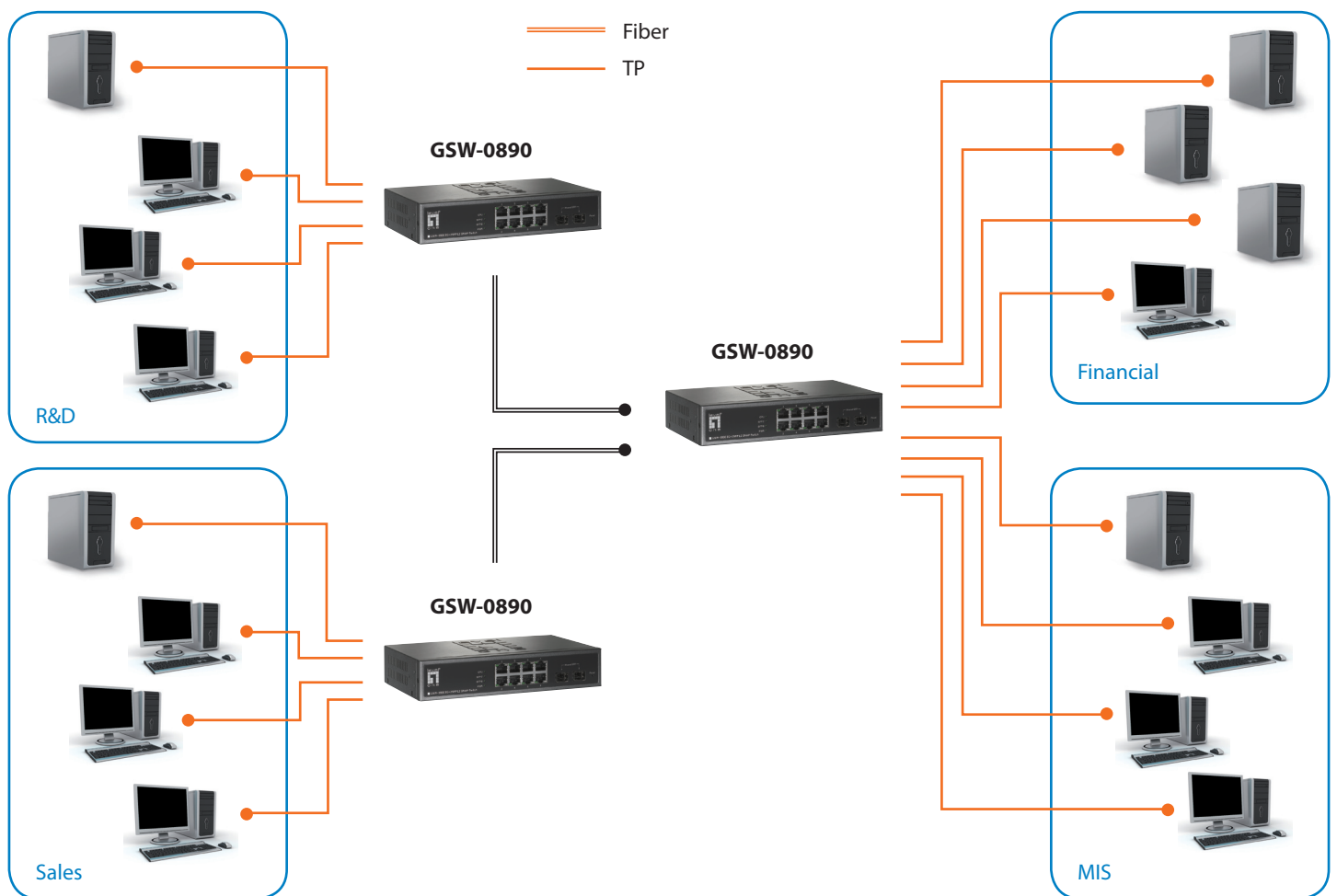
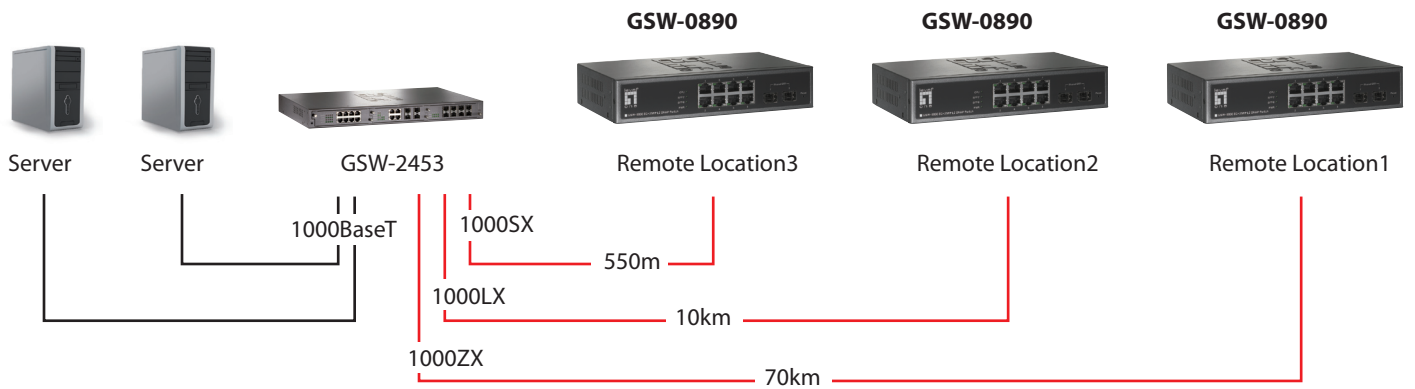
Network Security

802.1x access control
Management Access Policy Control (ACL)

SNMPv1,v2c Network Management

- RFC 1213 MIB (MIB-II)
- Interface MIB
- Address Translation MIB
- IP MIB
- ICMP MIB
- TCP MIB
- UDP MIB
- SNMP MIB
- RFC 1757 RMON MIB
- Statistics Group 1
- History Group 2
- Alarm Group 3
- Event Group 9
- RFC 1493 Bridge MIB
- RFC 1643 Ethernet MIB
- Enterprise MIB

Product Diagram



Order Information

Package Contents

GSW-0890: 6 GE + 2 GE Combo SFP L2 Managed Switch

GSW-0890

Power Cord

Rubber Feet x 4

RS232 Console Cable

CD Manual

All mentioned brand names are registered trademarks and property of their owners. Technical specifications are subject to change without notice.

© Copyright Digital Data Communications GmbH. All Rights Reserved.