



DDC 200 Series RPSMA plug –N plug



ANC-2350

H/W Version: 1

LevelOne provides a higher performance DDC 200 cable with excellent flexibility. All cables designed for low loss general –purpose indoor/ outdoor applications.

Weatherability

DDC 200 cables designed for outdoor exposure incorporate the best materials for UV resistance and have life expectancy in more than 10 years.



1. N-plug Connector
2. RPSMA plug Connector

Related Products



ANC-2310
200 Series RPSMA plug-N plug-
1m



ANC-2330
200 Series RPSMA plug-N plug-
3m

Technical Specifications

CONDUCTOR**Frequency Range**

DC~3GHz

AWG

17

Material

Bare Copper Wire

Composition

1/1.12mm

Outside Diameter

1.12±0.03mm

INSULATI**Material**

GFPE

Outside Diameter

2.95±0.1mm

Thickness

0.92mm

SHIELD**Material**

Double Sides Bonded Aluminum Foil

Composition

0.038mm

Material

Tinned Copper Wire

Composition

16*6/0.12 mm

Outside Diameter

3.47mm

JACKET**Material**

PVC (RoSH)

Outside Diameter

4.95±0.15mm

Thickness

0.74mm

Color

Black

Conductor Resistance

17.6 ↓ Ω/Km

Insulation Resistance

1000 ↑ MΩ/Km

Spark Test

3000V

Impedance

50±3Ω

Capacitance

79±3 PF/M

VSWR

1000~2000MHZ ≤ 1.2

3000~6000MHZ ≤ 1.5 dB

Attenuation (100 ft)

30 MHZ 1.8 dB

150 MHZ 4.0 dB

450 MHZ 7.0 dB

900 MHZ 9.9 dB

1500 MHZ 12.9 dB

1800 MHZ 14.2 dB

2500 MHZ 16.9 dB

INSULATI**Tensile Strength (UNAGED)**

500 ↑ Psi

Tensile Strength (AGED)

70 ↑ %

Elongation (UNAGED)

85 ↑ %

Elongation (AGED)

60 ↑ %

JACKET**Tensile Strength (UNAGED)**

1500 ↑ Psi

Tensile Strength (AGED)

70 ↑ %

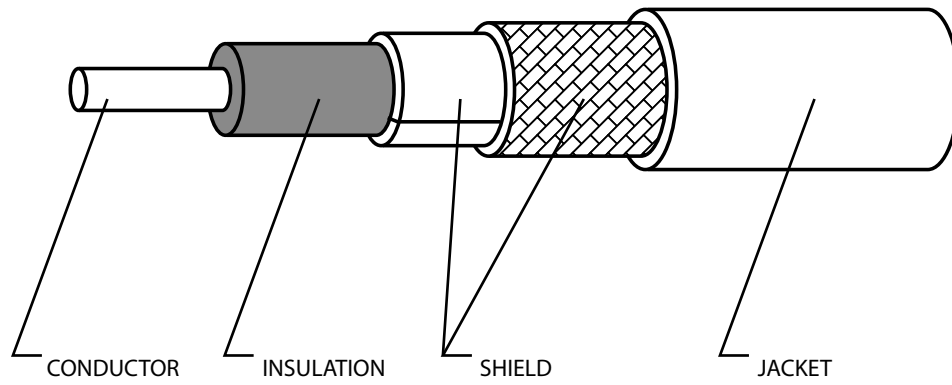
Elongation (UNAGED)

100 ↑ %

Elongation (AGED)

65 ↑ %

Dimension Diagram



Order Information

ANC-2350: DDC200 Series RPSMA plug-N plug-1.5m

Package Contents

ANC-2350