

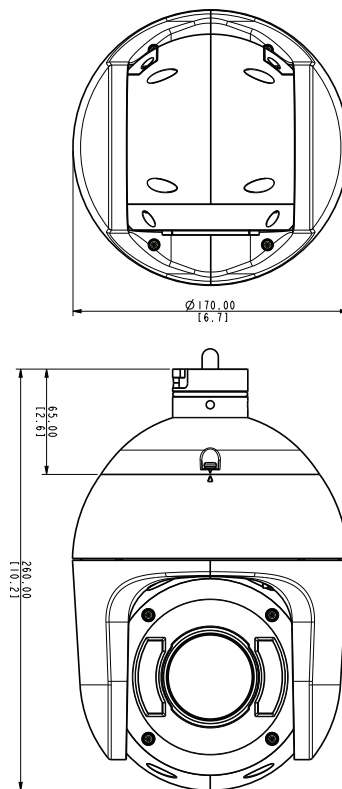
FCS-4048

2MP Outdoor Speed Dome with D/N, Adaptive IR, Extreme WDR, SLLS, 33x Zoom Lens



- 2 Megapixel with 1080p
- Day & Night with Superior Low Light Sensitivity and Adaptive IR LED
- 33x Zoom Lens with f4.5-148.5mm / F1.6-5.0, DC Iris, Auto Focus
- Extreme WDR (145 dB)
- 60 fps at 1920 x 1080
- Endless Pan & Tilt
- Weatherproof (IP66) and Vandal Proof Metal Casing (IK10)
- Built-in Analytics

DIMENSION DIAGRAM



Unit: mm [inch]

PRODUCT SPECIFICATION

FCS-4048

• Device

Product Type	Outdoor Speed Dome
Image Sensor	Progressive Scan CMOS
Sensor Size	1/2.8"
Effective Pixels	1944 (H) x 1224 (V) (2.38 MP)
Horizontal Resolution	1800 TVL
Day / Night	Yes
Low Light Sensitivity	Superior
Minimum Illumination	Color: 0.05 lux at F1.6 (30 IRE, 2400°K); B/W: 0 lux at F1.6 (30 IRE, 2400°K)
Color to B/W Switch	ISP based switch, configurable
Mechanical IR Cut Filter	Yes
IR Sensitivity Range	700- 1100nm
IR LED	Adaptive IR LED x 8 (850nm)
IR Working Distance	150 m
Electronic Shutter	1/5 - 1/2,000 sec (manual mode); 1/5 - 1/10,000 sec (auto mode)
S/N Ratio	56 dB

• Lens

Focal Length	Zoom, f4.5 - 148.5mm / F1.6 - 5.0
Zoom Ratio / Speed	33x optical / 2.7 sec (tele to wide)
Zoom Application	Camera installation; Auto zoom by event; Manual operation
Iris	DC iris
Focus	Auto focus
Horizontal Viewing Angle	61.7° - 2.07°

• PTZ

Manual Panning / Tilting Speed	TBC
Preset Panning / Tilting Speed	0.1° ~ 280°/s
Panning Range	360° Endless
Tilting Range	-20° ~ 200°
Control	Remote manual control; 256 preset points; 10 preset tours; Auto scan
Preset Panning Accuracy	0.265°
Preset Tilting Accuracy	0.265°
Absolute Position	Yes
Protocol	ACTI URL command, Sony VISCA, Pelco D, Pelco P

• Video

Compression	H.264 (Baseline / Main / High profile), MJPEG
Max. Frame Rate vs. Resolution	60 fps at 1920 x 1080; 60 fps at 1280 x 720; 30 fps at 640 x 480; 15 fps at 320 x 240
Multi-Streaming	Simultaneous triple streams based on video configurations
Bit Rate	128 Kbps - 12 Mbps (per stream)
Bit Rate Mode	Constant, Variable
Image Enhancement	Extreme WDR (145 dB); White balance: automatic, hold and manual; Brightness; Contrast; Sharpness; Automatic gain control; 2D+3D digital noise reduction; Flickerless; Defogging; Digital image stabilizer; Shock detection
Privacy Mask	32 configurable regions
Text Overlay	User defined text on video
Image Orientation	Image flip, mirror and rotation
Built-in Analytics	Tamper, PTZ Auto Tracking, Line Crossing, Enter Area, Missing Object, Unattended Object (Some of the algorithms may not be available in the first release, can be upgraded for free later.)

• Audio

Audio	2-way (Mic-in, Line-in, Line-out)
Compression	8 kHz, Mono, PCM, 16 bit encoding; G.711
Audio-In / Audio-Out	Cable with 3.5mm phone jack

• Network

Protocol & Service	TCP, UDP, HTTP, HTTPS, DHCP, PPPoE, RTP, RTSP, IPv4, IPv6, DNS, DDNS, NTP, ICMP, ARP, IGMP, SMTP, FTP, UPnP, SNMP, Bonjour
Ethernet Port	1, Ethernet (10/100Base-T), RJ-45 connector
Security	IP address filtering; HTTPS encryption; Password protected user level; Anonymous login; IEEE 802.1X network access control

• Alarm

Alarm Trigger	Video motion detection (10 regions); External device through digital input; Sound detection
Alarm Response	Notify control center; Go to PTZ preset point or preset tour; Change camera settings; Command other devices; E-mail notification with snapshots; Save video or snapshot to local storage; Upload video or snapshot to FTP server; Activate external device through digital output

• Interface

Digital Input	4, Terminal block
Digital Output	2, Terminal block
Local Storage	MicroSDHC memory card slot (card not included)

• General

Power Source	High PoE (IEEE802.3at) / AC 24V
Weight	TBC
Dimensions (Φ x H)	170 mm x 260 mm (6.69" x 10.23")
Environmental Casing	Weatherproof (IP66); Vandal proof metal casing (IK10)
Mount Type	Pendant, Wall, Corner, Pole
Starting Temperature	-40°C ~ 50°C (-40°F ~ 122°F) within 30mins
Operating Temperature	-40°C ~ 50°C (-40°F ~ 122°F)
Operating Humidity	10% ~ 85% RH
Approvals	CE (EN 55022 Class B, EN 55024), FCC (Part15 Subpart B Class B), IP66, IK10 (metal casing), NEMA 4X, UL (for bundled power adapter)

• Integration

Unified Solution	Fully compatible with software
ISV Integration	Software Development Kit (SDK) available; ONVIF Compliant
GPS Position	Manual setting
Firmware Access Browser	Microsoft Internet Explorer 8.0 or newer (full functionality); Safari with QuickTime installed, and other browsers with VLC installed (partial functionality)

* All specifications are subject to change without notice.

* All brand names and registered trademarks are the property of their respective owners.

www.level1.com

