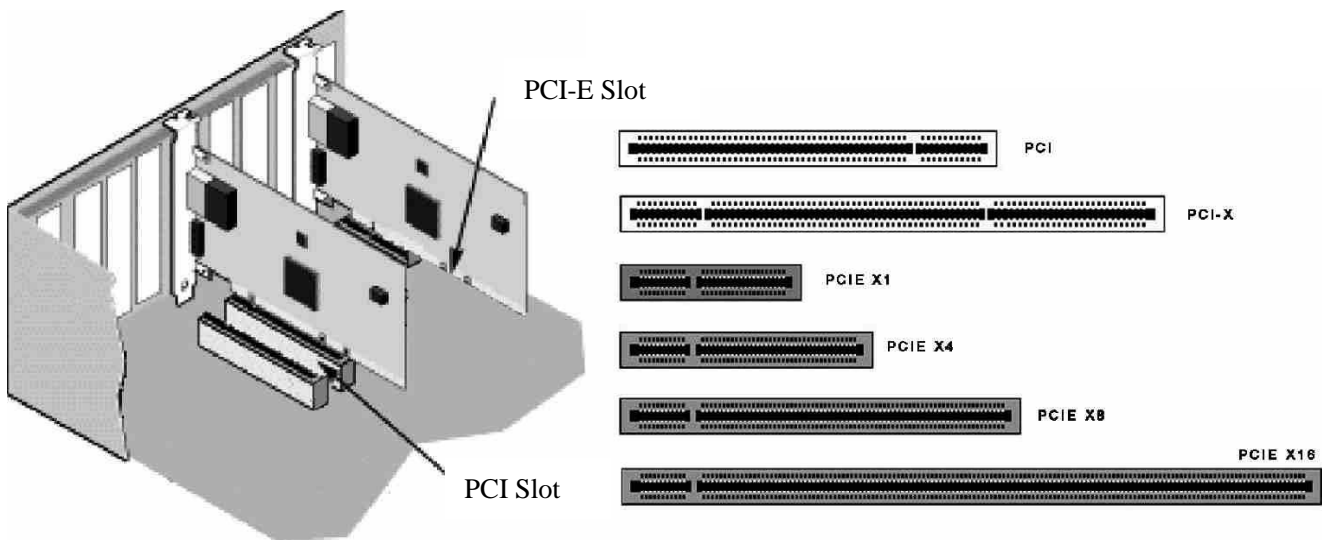




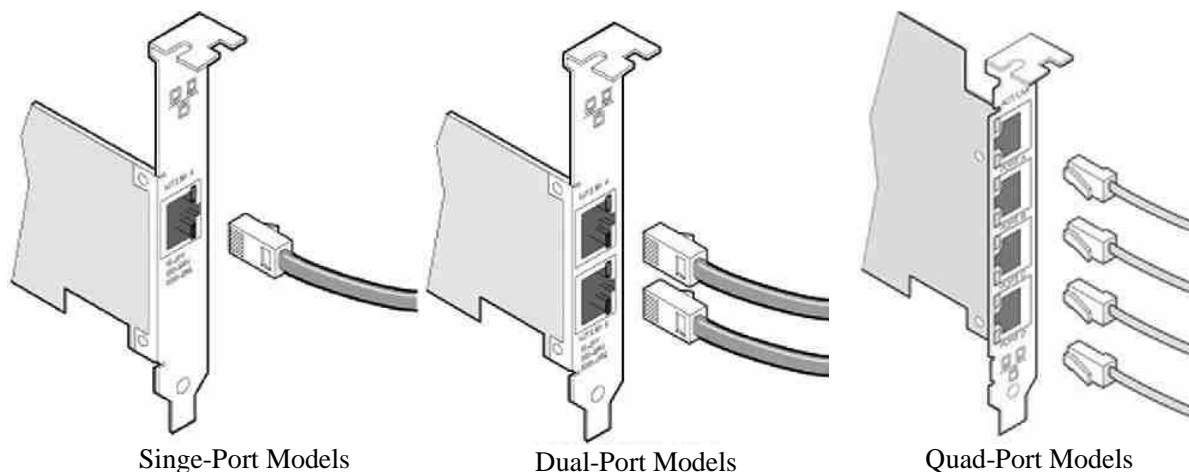
FNC / GNC Quick Installation Guide

CAUTION: Turn off and unplug the power before removing the computer's cover. Failure to do so could endanger you and may damage the adapter or computer.

1. Turn off the computer and unplug the power cord. For Hot Plug servers, see your server documentation first.
2. Remove the cover bracket from a PCI-Express slot (v1.0a or newer) or a PCI (2.2 or later) slot. If you have configuration problems, see your computer's documentation to determine if the PCI-Express or PCI slots are bus master-enabled.
3. Optional step for low profile capable models:
If you need to install the adapter in a low profile PCI-Express or PCI chassis, first replace the adapter standard bracket with the supplied low profile bracket. To remove existing bracket, unscrew the two screws as shown at right and then pull bracket off. Reverse the process to attach the low profile bracket. See the User's Guide (step 8) for complete instructions.
4. Firmly insert the adapter into the selected slot. Push down to ensure the adapter is fully seated. If you install the adapter in a PCI-Express or PCI slot, make sure the exposed end of the connector does not touch any part of the motherboard. Secure the bracket to the chassis.



5. Replace the computer cover and plug in the power cord.
6. Connect the network cable Copper Modles



- a. For 10Gbps operation(10GBase-T),use category 6 or better(must be 4-pair wiring with different pitches
- b. Insert the twisted pair,RJ45 network connector as shown.
- c. For 1000Mbps operation(1000BaseT),use Category 5 or better (must be 4-pair wiring). Make sure you use Category 5 cable that complies with the TIA-568 wiring specification.
- d. For 100Mbps operation(100BaseTX), use Category 5 wiring or better.
Length is limited to 100 meters.

The adapter must be connected to a compatible link partner that has the same configuration.

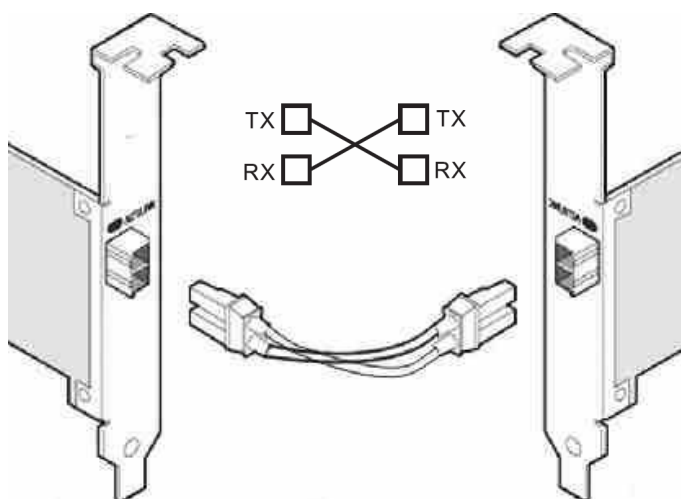
Fiber Models

- For fiber adapters, remove and save the fiber optic connector cover. Insert a matching fiber optic connector into the ports on the adapter as shown. Note: For LC adapters, converter patch cables are available to allow plugging into an SC type connector.
- The SX type adapters must use SX compatible cabling (see table showing maximum reach) and the LX type adapter must use LX compatible cabling. Cabling and adapter types cannot be mixed. Note: the LX adapter has LX stamped on the bracket to identify it. See the Use's Guide on the CD for more information on cable type

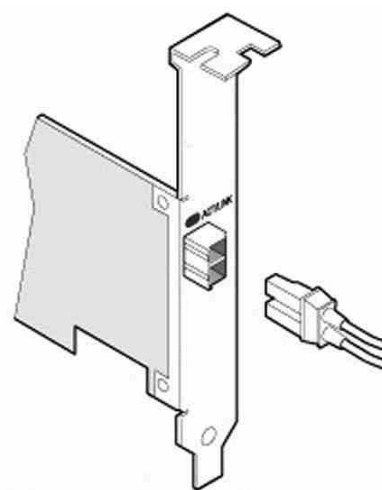
Fiber Cable Type		MM 62.5u	MM 50u	SM 9.0u
10GBase-SR (850nm)	Type	N/A	300M	N/A
10GBase-LR (1310nm)	Type	N/A	N/A	10KM
1000Base-SX (850nm)	Type	275M	550M	N/A
1000Base-LX Adapter(1310nm)	Type	N/A	N/A	10KM
100Base-SX (1310nm)	Type	2KM	2KM	N/A
100Base-LX (1310nm)	Type	N/A	N/A	20KM

- Most connectors and ports are keyed for proper orientation. If the cable you are using is not keyed, check to be sure the connector is oriented properly.
- The adapter must be connected to a compatible link partner, or an IEEE 802.3z- compliant gigabit switch.

Optical fiber connection diagram

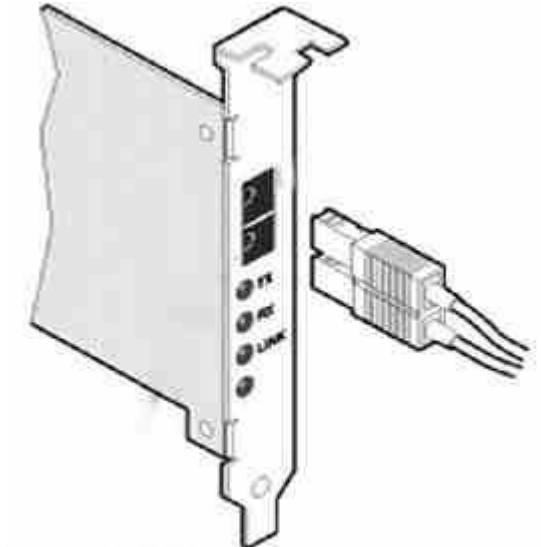
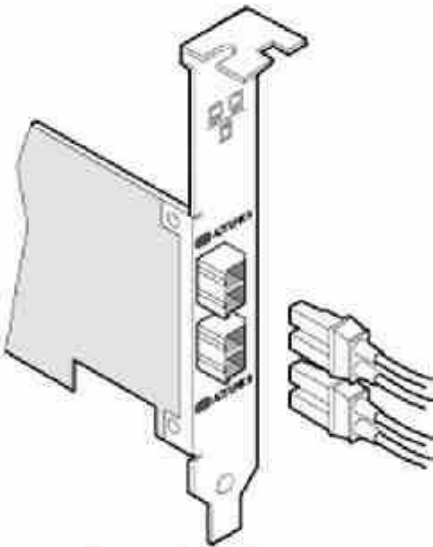


Single-port fiber adapter with LC connector



Dual-port fiber adapter with LC connector

Single-port fiber adapter with SC connector



7. Install the adapter drivers

- a. Start the computer. Note that you must have administrative rights to the operating system to install the drivers.
- b. Windows*2000, XP, Windows 7, Windows 8, Vista* and Server 2003: The adapter is detected and Windows either installs a resident driver or starts the Found New Hardware wizard. If a resident driver installs (wizard does not appear), update the driver by inserting the covermouted CD. See the full User's Guide for detailed instructions (step 8).
- c. Windows NT4.0, Linux, NetWare*, UnixWare, *FreeBSD, and other operating systems: Refer to the User's Guide on the CD (step 8).

8. User's Guide

The full User's Guide is located on the covermouted CD. Use your web browser to view or print topics in the User's Guide. The guide covers configuration, topics on features, additional operating systems, troubleshooting information, and support resources. To view the guide, put the CD in your drive and simply open the index.htm file in the Manual folder on the CD.

