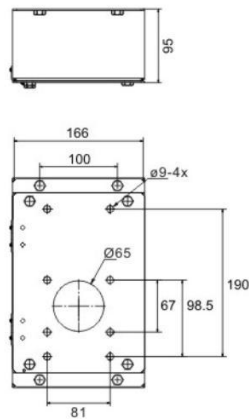


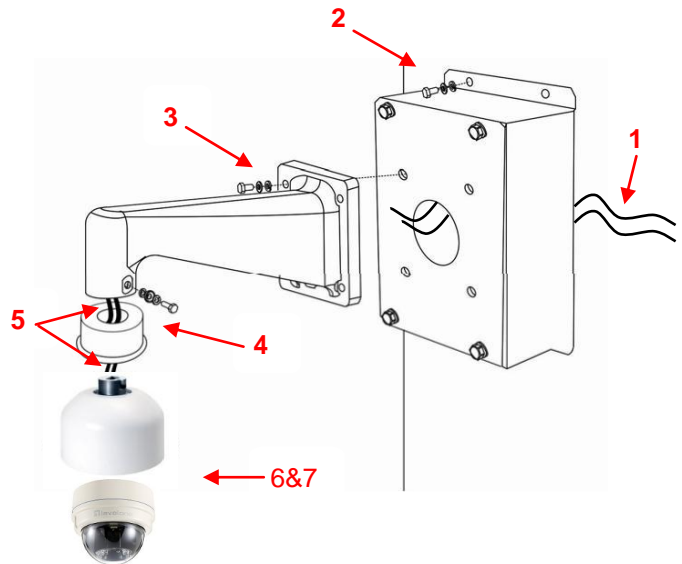


CAS-3281 Wall Box Mount

Product Guide:



Unit: mm



Package Contents:

- CAS-3281
- with M8x16 screw x4
- washer-8 x4
- spring washer-8 x4

Installation steps:

1. Make a cable entry hole on the wall to recess the cable(s).
2. Fix the Wall Box Mounting on the wall with proper screws and screw anchors. Then run the cable(s) through the hole on the Wall Box Mounting.
3. Fasten the CAS-3201 Mini Pendant (Optional Accessories) Mount onto the Wall Box Mounting with the supplied screws and washers. Then thread the cable(s) through the CAS-3201 Mini Pendant (Optional Accessories) Mount with the cable(s) coming out of the Pendant Mount's outlet.
4. Attach the Waterproof Rubber to the CAS-3201 Mini Pendant.
5. Thread the cable(s) through the Wall Box Mount and join the Wall Box Mount to the CAS-3201 Mini Pendant (Optional Accessories) Mount with the supplied screws and washers. Then adjust the Waterproof Rubber to the joint.
6. Connect the cable(s) to the Dome Camera.
7. Join the Dome Camera to the Wall Box Mount with the supplied screw and washers.