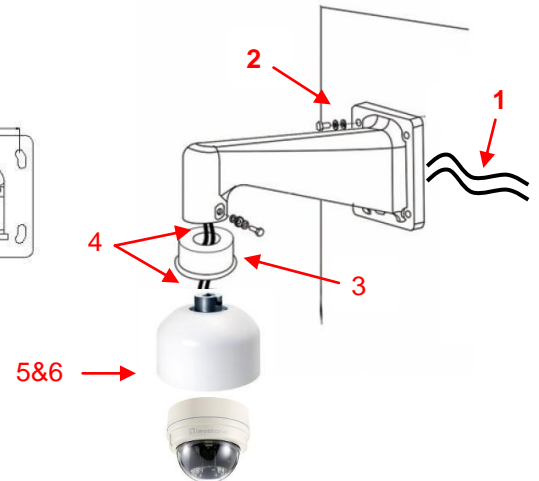
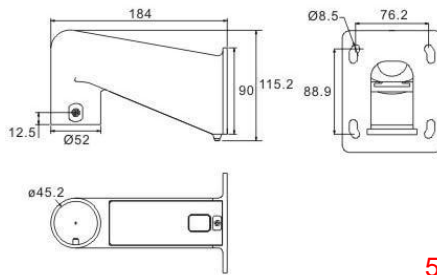




CAS-3201 Mini Pendant

Product Guide:



Package Contents:

- CAS-3201
- with rubber washer-8 x1
- pendent tube washer x1
- spring washer-8 x1
- M8x12 screw x1

Installation steps:

1. Make a cable entry hole on the wall to recess the cables. Otherwise, users could push up the cable entry board on the Mini Pendant's mounting plate to place the cables.
2. Fix the Mini Pendant on the wall with proper screws and screw anchors.
3. Attach the Waterproof Rubber to the Mini Pendant.
4. Run the cable(s) through the Mini Pendant.
5. Connect the cable(s) to the Dome Camera.
6. Join the Dome Camera to the Mini Pendant with the supplied screw and washers.