

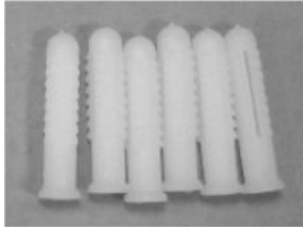


CAS-3101 Interior corner mount

Corner Mount Kit Package Contents:



Corner Mount



M4 Plastic Anchors (x 6)

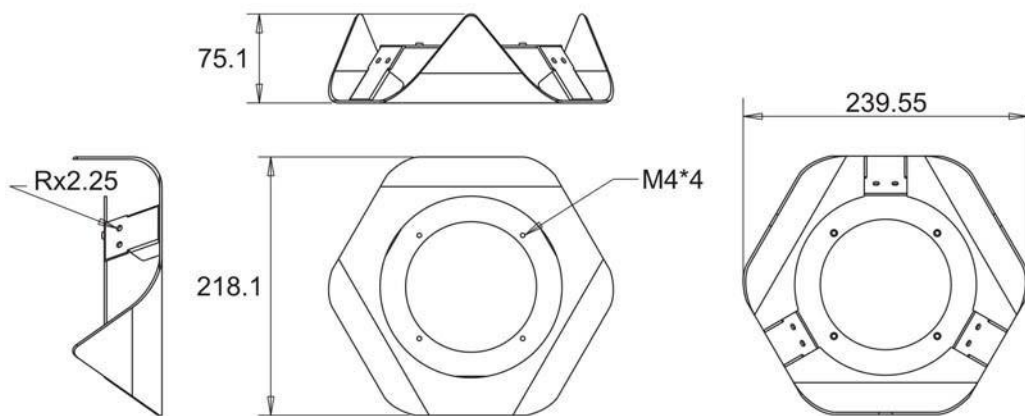


M4 Self-tapping Screws (x 6)



M4 Mechanical Screws (x 4)

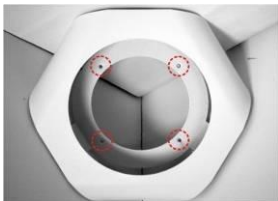
In-Ceiling Mount Dimension:



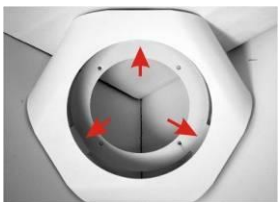
Unit: mm

Installation steps:

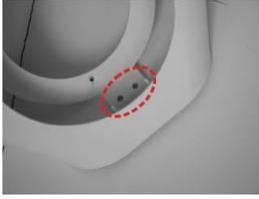
1. Match the Corner Mount at the ceiling corner. Please note that the Dome Camera's Housing/ Plate installing holes are in position as the right figure.



2. Drill six holes on the wall and the ceiling to install six M4 plastic anchors.



Fix the Corner Mount on the Ceiling by fastening six M4 Self-tapping Screws in the Plastic Anchors.



3. Place the Dome Camera's Housing/ Plate in the Corner Mount.

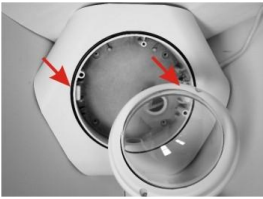


NOTE: Please note that the Snap-on Camera Module is in position as the figure.

4. Thread the RJ-45 cable through the Dome Camera's Housing/ Plate.



5. Tighten the four M4 Mechanical Screws to install the Dome Camera's Housing/ Plate in the Corner Mount.



6. Place the Camera Module into the Dome Camera's Housing/ Plate until there is a "click" sound.



7. Tighten the screw on the Camera Module to fix the Camera Module on the Dome Camera's Housing/ Plate.



8. Connect the RJ-45 cable to the Camera Module, and then adjust the Dome Camera lens to a desired angle.



NOTE: The zoom level and focal length might be different with the Dome Cover on, in this case, adjusting zoom level and focal length through the Dome Cover is recommended.

9. Install the Inner Cover on the Camera Module.



10. Place the Dome Cover back in position, tighten the two Torx Screws with the supplied Security Torx.

