



## CAT.5 HDMI Extender

HVE-6000

HVE-7000

HVE-7004

HVE-7008

## User Manual

## TABLE OF CONTENTS

---

- 3. Package Content
- 5. Product Introduction
- 7. Panel Description
- 9. Installation
- 13. Frequently Asked Questions
- 14. Specifications
- 16. Notice

## Package Content

---

### 4-Port Cat.5 HDMI Transmitter

1. 4-Port Cat.5 HDMI Transmitter (HVE-7004)
2. HDMI Cable
3. SR Cat.5 HDMI Receiver (HVE-6000)
4. Power Adaptor DC5V3A
5. User Manual



### 8-Port Cat.5 HDMI Transmitter

1. 8-Port Cat.5 HDMI Transmitter (HVE-7008)
2. HDMI Cable
3. SR Cat.5 HDMI Receiver (HVE-6000)
4. Power Adaptor DC5V3A
5. User Manual



LR Cat.5 HDMI Receiver

1. LR Cat.5 HDMI Receiver (HVE-7000)
2. Power Adaptor DC5V2A
3. User Manual



SR Cat.5 HDMI Receiver

- SR Cat.5 HDMI Receiver (HVE-6000)



## Product Introduction

---

### Introduction

The HDMI Extender Family brings you endless possibility for digital signage, public display and large scale demonstration. Where crystal-clear digital video needs to be broadcasted, these expanders can bring your distribution system to the next level.

---

The complete family product range can be easily combined to suit almost every application through Cat-X cable. By taking the advantage of Cat-X cable, installation is simplified and particularly cost effective whether splitting or extending HDMI is required.

## Features

- HDMI signal extension through Cat-X cable
- Cat-X cable implementation to minimize use of high-cost HDMI cable
- Minimum 30m extension for 1080p resolution\*
- Maximum extension up to 80m\*\*
- Cascading possible for HVE-7004 and HVE-7008
- Compliant with HDMI 1.2
- Build in equalizer to fine tune video quality
- Software not required, purely hardware installation. Virus risk free

\*single link of HVE-7000. For connection with HVE-6000,  
1080p distance at minimum 15m.

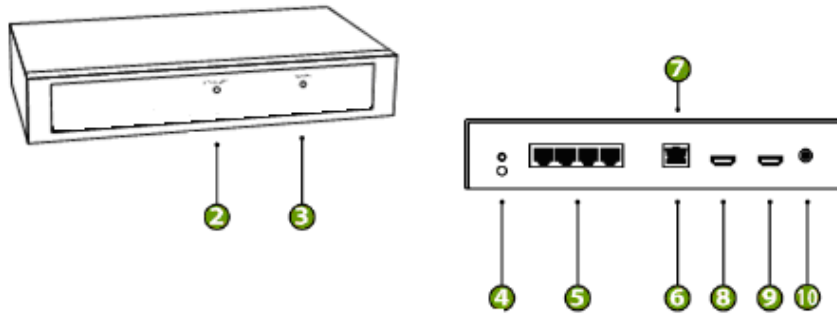
\*\*single link at 480p resolution, with high quality, minimal delay skew  
Cat-6 FTP cable

## Panel Description

---

### HVE-7004

#### 4-Port Cat.5 HDMI Transmitter



### HVE-7008

#### 8-Port Cat.5 HDMI Transmitter

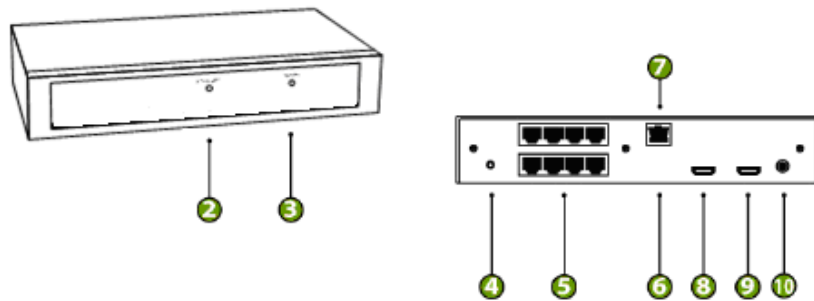
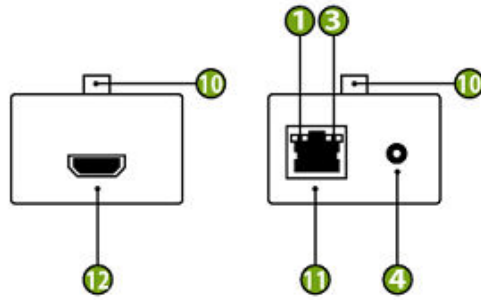


Fig. 1

- ① Link activity status
- ② Local display status
- ③ Power status
- ④ Power adaptor input
- ⑤ CAT-X out to receiver
- ⑥ CAT-X out for cascading (optional)
- ⑦ Equalizer status, LED on at auto adjustment mode; off at manual adjustment mode

HVE-7000

LR Cat.5 HDMI Receiver



HVE-6000

SR Cat.5 HDMI Receiver

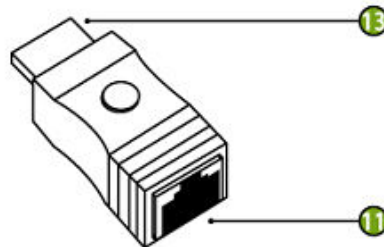


Fig. 2

- ⑧ HDMI out: to local display monitor (optional)
- ⑨ HDMI in: from display source
- ⑩ Equalizer control knob
- ⑪ CAT-X in from Transmitter
- ⑫ HDMI out: to remote display monitor
- ⑬ HDMI connector to display or Transmitter



## Installation

---

### *One HDMI source extension to one local display and multiple remote displays:*

**Step 1:** power off all devices

**Step 2:** connect HDMI source device to HDMI Transmitter (HVE-7004/7008) ⑨ using HDMI cable

**Step 3:** connect HDMI Transmitter ⑤ to LR Cat.5 HDMI Receiver (HVE-7000) ⑪ or SR Cat.5 HDMI Receiver (HVE-6000) ⑪ using Cat-X cable

**Step 4:** connect LR Cat.5 HDMI Receiver (HVE-7000) ⑫ or SR Cat.5 HDMI Receiver (HVE-6000) ⑫ to HDMI display using HDMI cable

**Step 5:** repeat Step 3 and Step 4 for next HDMI display until all monitor is connected

**Step 6:** if local display is required, connect HDMI display to HDMI Transmitter (HVE-7004/7008) ⑧

**Step 7:** connect power adaptor to HDMI Transmitter (HVE-7004/7008) ④ and LR Cat.5 HDMI Receiver (HVE-7000) ④

**Step 8:** power on all devices

**Step 9:** adjust equalizer control knob ⑩ to fine tune picture quality

\*LR Cat.5 HDMI Receiver (HVE-7000) recommended for long range application (1080p

@ 30m). SR Cat.5 HDMI Receiver (HVE-6000) for short range application only (1080p @ 15m)

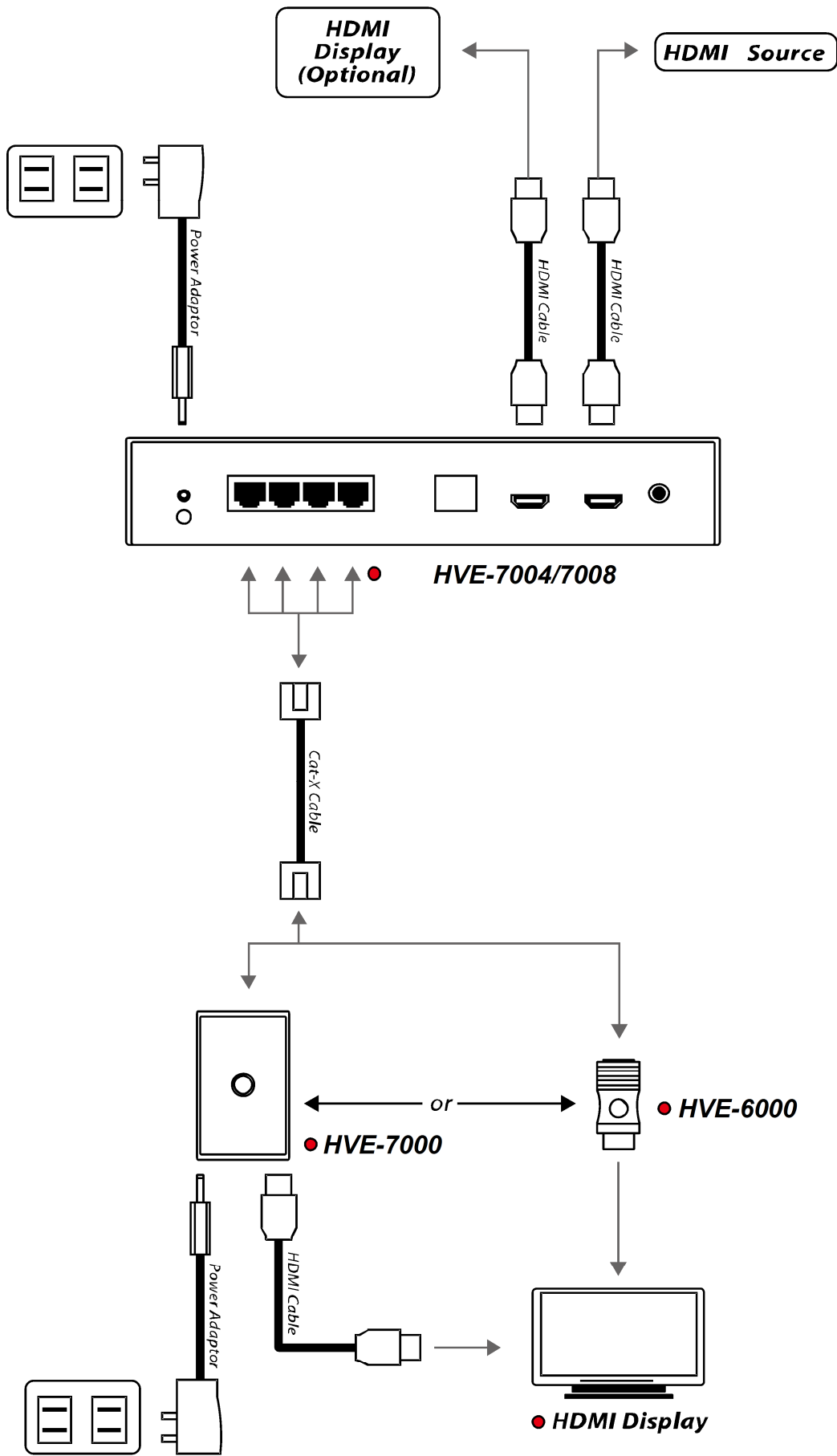


Fig. 3

### ***Cascading connection for two HVE-7004/7008***

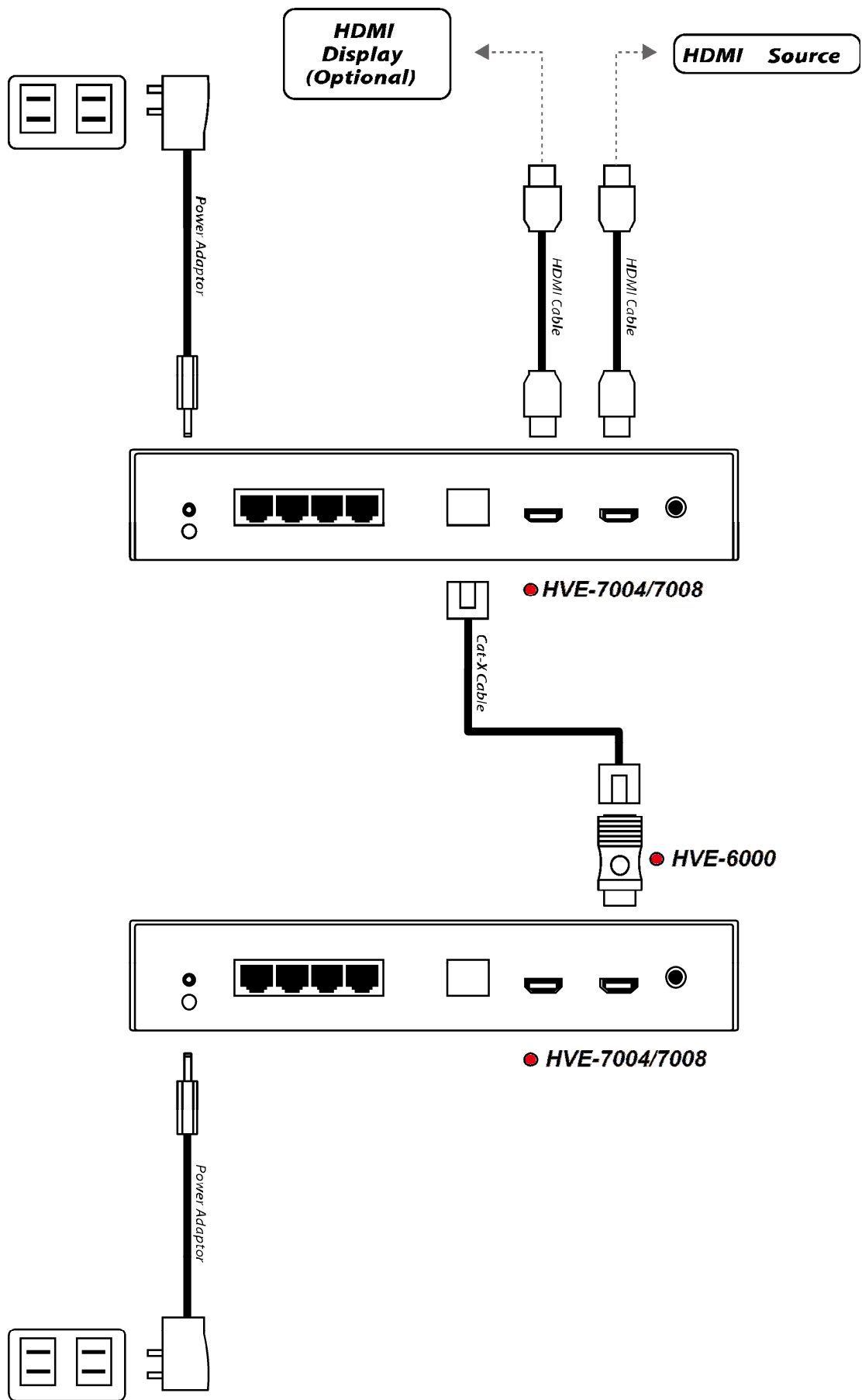
**Step 1:** please follow Step 1~Step 7 of page 6

**Step 2:** connect primary HDMI Transmitter (HVE-7004/7008) ⑥ to SR Cat.5 HDMI Receiver (HVE-6000) ⑪ using Cat-X cable

**Step 3:** connect SR Cat.5 HDMI Receiver (HVE-6000) ⑬ to secondary HDMI Transmitter (HVE-7004/7008) ⑨

**Step 4:** power on all devices

**Step 5:** adjust equalizer control knob ⑩ to fine tune picture quality



**Fig. 5**

## Frequently Asked Questions

---

<p>How does equalizer (EQ) work?</p>	<p>Equalizer is a built in electronic device used to fine tune picture quality. Please turn knob anticlockwise for automatic mode. If you find monitor is not displaying properly, please turn EQ knob clockwise slowly until picture is displaying correctly. If problem persist please check your cable.</p>
<p>What is the minimum requirement of Cat-X cable</p>	<p>Minimum cable requirement is Category 5 enhanced cable for HDMI Extender Family product. Please ensure all cables are terminated with RJ-45 plug according to EIA/TIA568B definition.</p>
<p>What kind of Cat-X cable is recommended?</p>	<p>We recommend using Category 6 or 7 FTP cable for best display quality at maximum extension. For better result please use cable with minimum delay skew property.</p>
<p>I want extension above specification, is that possible?</p>	<p>Yes. To extend HDMI signal above specification published please use high quality HDMI cable (24 gauges) and recommended Cat-X cable. If further extension is required, please set HDMI source at 480p resolution.</p>
<p>I am using HVE-6000 to receive HDMI signal, but there no image on monitor.</p>	<p>HVE-6000 is only intended to use for short distance extension. The maximum extension is at 15m for 1080p resolution. If your application has exceeded this distance, please use <a href="#">LR Cat.5 HDMI Receiver (HVE-7000)</a>.</p>
<p>There is no image on monitor, what could be the problem?</p>	<p>First please check all cable is properly installed. Secondly check display source is functioning correctly.</p>
<p>It is still not working.</p>	<p>If problem persist, please try the following steps to read monitor data into HDMI CatX Extender:</p> <ol style="list-style-type: none"> <li>1. connect display monitor to HDMI "local out" port of transmitter with HDMI cable</li> <li>2. power on all devices</li> <li>3. at front panel, you will see orange LED lids constantly and green LED lids for one second.</li> <li>4. when LED stops blinking, please unplug monitor and proceed with usual installation.</li> </ol>

## Specifications

---

PRODUCT NAME	4-Port Cat.5 HDMI Transmitter	8-Port Cat.5 HDMI Transmitter
MODEL NUMBER	HVE-7004	HVE-7008
INPUT	HDMI x 1	HDMI x 1
OUTPUT	RJ-45 x 4 (signal extension) RJ-45 x 1 (cascading) HDMI x 1 (local display)	RJ-45 x 8 (signal extension) RJ-45 x 1 (cascading) HDMI x 1 (local display)
CASCADING	2 LEVEL	2 LEVEL
RESOLUTION	1080p	
EXTENSION	1080p – 30m / 720p, 1080i – 60m / 480p – 80m	
AUDIO CHANNEL	STEREO	
SUPPORTED SIGNAL	HDMI 1.2, DVI 1.0	
POWER ADAPTOR	DC 5V, 3.2A	
HOUSING	METAL	
SIZE (LxWxH) mm	240x130x44	

Specification subject to change without notice

PRODUCT NAME	LR Cat.5 HDMI Receiver
MODEL NUMBER	HVE-7000
INPUT	RJ-45 x 1
OUTPUT	HDMI x 1
RESOLUTION	480i, 480p, 720p, 1080i, 1080p
EXTENSION	1080p – 30m / 480p, 720p, 1080i – 70m
AUDIO CHANNEL	STEREO
SUPPORTED SIGNAL	HDMI 1.2, DVI 1.0
POWER ADAPTOR	DC 5V, 1A
HOUSING	METAL
SIZE (LxWxH) mm	69x39x21

Specification subject to change without notice

PRODUCT NAME	SR Cat.5 HDMI Receiver
MODEL NUMBER	HVE-6000
INPUT	RJ-45 x 1
OUTPUT	HDMI x 1
RESOLUTION	480i, 480p, 720p, 1080i, 1080p
EXTENSION	1080p – 15m / 480p, 720p, 1080i – 25m
AUDIO CHANNEL	STEREO
SUPPORTED SIGNAL	HDMI 1.2, DVI 1.0

Specification subject to change without notice

## Notice

---

1. Please read user manual carefully before operating the device
2. Please use the power adaptor accompanied with this product. Warranty does not cover for damages caused by pairing other power adaptor
3. Please check all connecting devices are properly grounded to avoid electric failure
4. This product has limited warranty for one year from defects in material and workmanship. Items that are physically damaged, misused, tempered with or altered are void of warranty. For further details please contact your distributor. In case warranty sticker is damaged or missing, warranty is void. For further details please contact your distributor.