



GSW-2473

24-Port Fast Ethernet + 2-Port Gigabit Ethernet Combo Web
Smart Switch

User Manual

FCC Warning

This Equipment has been tested and found to comply with the limits for a Class-A digital device, pursuant to Part 15 of the FCC rules. These limits are designed to provide reasonable protection against harmful interference in a residential installation. This equipment generates, uses, and can radiate radio frequency energy. It may cause harmful interference to radio communications if the equipment is not installed and used in accordance with the instructions. However, there is no guarantee that interference will not occur in a particular installation. If this equipment does cause harmful interference to radio or television reception, which can be determined by turning the equipment off and on, the user is encouraged to try to correct the interference by one or more of the following measures:

- Reorient or relocate the receiving antenna.
- Increase the separation between the equipment and receiver.
- Connect the equipment into an outlet on a circuit different from that to which the receiver is connected.
- Consult the dealer or an experienced radio/TV technician for help.

CE Mark Warning

This is a Class-A product. In a domestic environment this product may cause radio interference in which case the user may be required to take adequate measures.

Content

INTRODUCTION.....	1
Features.....	1
Package Contents.....	2
HARDWARE DESCRIPTION	3
Physical Dimensions.....	3
Front Panel	3
LED Indicators	5
Gigabit port LED Indicator	5
Rear Panel.....	6
Desktop Installation.....	7
Attaching Rubber Pads	7
Rack-mounted Installation	7
Power On.....	8
NETWORK APPLICATION	9
Small Workgroup	9
Segment Uplink	10
WEB-BASED MANAGEMENT.....	11
About Web-based Management	11
User Login	12
Main Page.....	12
Administrator.....	13

Authentication Configuration	13
System IP Configuration.....	14
System Status	15
Default Switch Setting and Reboot.....	16
Port Management	17
Port Configuration	17
Port Mirroring	19
Bandwidth Control.....	20
Broadcast Storm Control	22
VLAN Setting	23
VLAN Member Setting (Port Based).....	23
VLAN Mode.....	25
VLAN PVID Index Setting.....	27
Per Port Counter	28
QoS Setting	30
Priority Mode	31
Class of Service Configuration	32
Security Filter	34
Trunk.....	36
Trunk Configuration.....	36
Aggregation Information	38
Configuration Backup/Recovery	39
Firmware Update	40
Reboot	43

Logout.....	44
TROUBLESHOOTING	45
Incorrect connections.....	45
Faulty or loose cables	45
Non-standard cables	45
Improper Network Topologies	46
Diagnosing LED Indicators	46
Cabling.....	46
TECHNICAL SPECIFICATION	47
APPENDIX.....	49
10 /100BASE-TX Pin outs.....	49
10/100Base-TX Cable Schematic.....	49
10/100/1000Base-TX Pin outs	50
10/100/1000Base-TX Cable Schematic.....	51

Introduction

The 24-Port Fast Ethernet + 2-Port Gigabit Ethernet Combo Web Smart Switch is a multi-port Switch that can be used to build high-performance switched workgroup networks. This switch is a store-and-forward device that offers low latency for high-speed networking. The switch is targeted at workgroup, department or backbone computing environment.

The 24-Port Fast Ethernet + 2-Port Gigabit Ethernet Combo Web Smart Switch has 24 auto-sensing 10/100Base-TX RJ-45 ports and 2 auto-detect Gigabit combo ports for higher connection speed. This switch features a store-and-forward switching scheme. This allows the switch to auto-learn and store source address in a 4K-entry MAC address table.

Features

- Conforms to IEEE802.3 10Base-T, IEEE802.3u 100Base-TX, IEEE802.3ab 1000Base-T, IEEE802.3z Gigabit fiber, IEEE802.3x Flow control and Back pressure, IEEE 802.3ad Port Trunk, IEEE 802.1p Class of Service.
- 24 10/100 TX plus 2 10/100/1000/Mini-GBIC Combo
- Automatic MDI/MDIX supported
- High Switch Fabric up to 8.8Gbps
- N-way Auto-Negotiation supported
- Store-and-Forwarding Switching Architecture
- 4K-entry MAC address table
- Non-Blocking full wire speed architecture
- IEEE 802.3x Flow control:
 - Pause-frame for full duplex mode
 - Back-pressure for half duplex mode
- Fan free design

Package Contents

Unpack the contents of the 24-Port Fast Ethernet + 2-Port Gigabit Ethernet Combo Web Smart Switch and verify them against the checklist below:

- 24-Port Fast Ethernet + 2-Port Gigabit Ethernet Combo Web Smart Switch
- Rack-Mounted Kit
- Power Cord
- Four Rubber Pads
- CD User Manual

Compare the contents of the 24-Port Fast Ethernet + 2-Port Gigabit Ethernet Combo Web Smart Switch package with the standard checklist above. If any item is missing or damaged, please contact the local dealer for exchanging.

Hardware Description

This section mainly describes the hardware of the 24-Port Fast Ethernet + 2-Port Gigabit Ethernet Combo Web Smart Switch and gives a physical and functional overview on the certain switch.

Physical Dimensions

The 24-Port Fast Ethernet + 2-Port Gigabit Ethernet Combo Web Smart Switch physical dimensions is **440mm x 120mm x 44mm (W x D x H)**.

Front Panel

The front panel of the 24-Port Fast Ethernet + 2-Port Gigabit Ethernet Combo Web Smart Switch consists of 24 x 10/100Base-TX RJ-45 ports (Auto MDI/MDIX) and 2 auto-detect Giga ports which could be Copper Gigabit port or Mini-GBIC Fiber module (optional). The LED Indicators are also located on the front panel of the switch.



The Front panel of 24-Port Fast Ethernet + 2-Port Gigabit Ethernet Combo Web Smart Switch

- **RJ-45 Ports (Auto MDI/MDIX):** 24 x 10/100 N-way auto-sensing for 10Base-T or 100Base-TX connections.

In general, **MDI** means connecting to another Hub or Switch while **MDIX** means connecting to a workstation or PC. Therefore, **Auto MDI/MDIX** would

allow connecting to another Switch or workstation without changing non-crossover or crossover cabling.

- **2 Giga port:** The traditional RJ-45 ports can be used for up-linking wide-band paths in short distance (<100m), or the appropriate replaceable mini-GBIC ports can be used for the application of wideband up-linking and long distance transmissions to fit the flexible field request.

[NOTE] When the Mini-GBIC slot and the corresponding RJ-45 port are both being connected, the Mini-GBIC (Giga fiber) port has higher priority.

LED Indicators

The LED Indicators display real-time information of systematic operation status. The following table provides descriptions of LED status and their meaning.

LED	Status	Description
Power	Green	Power On
	Off	Power is not connected
Act/Duplex	Green	The port works in 10/100 Full-duplex mode
	Blinks (continuously)	Networking is active
	Blinks (off for about 2 seconds and on alternatively)	The port works in 10/100 Half-duplex mode
	Off	No device attached
Speed	Amber	The port works at speed of 100Mbps
	Blinks	The port works at speed of 10Mbps

The Description of LED Indicators

Gigabit port LED Indicator

The following table provides descriptions of Gigabit ports' LEDs status and their

meaning.

LED	Status	Description
Act/Duplex	Green	The port works in 10/100 Full-duplex or gigabit mode
	Blinks (continuously)	Networking is active
	Blinks (off for about 2 seconds and on alternatively)	The port works in 10/100 Half-duplex mode
	Off	No device attached
Speed	Green	The port works at speed of 1000Mbps
	Blinks	The port works at speed of 100Mbps

The Descriptions of Gigabit port LED Indicators

Rear Panel

The 3-pronged power plug is located at the rear panel of the 24-Port Fast Ethernet + 2-Port Gigabit Ethernet Combo Web Smart Switch shown below. The switch will work with AC in the voltage range between 100 and 240V and Frequency of 50-60Hz.



The Rear Panel of 24-Port Fast Ethernet + 2-Port Gigabit Ethernet Combo Web Smart Switch

Desktop Installation

Set the switch on a sufficiently large flat space with a power outlet nearby. The surface where the user put the switch should be clean, smooth, level and sturdy. Make sure there is enough clearance around the switch to allow attachment of cables, power cord and allow air circulation.

Attaching Rubber Pads

- A. Make sure mounting surface on the bottom of the switch is grease and dust free.
- B. Remove adhesive backing from your Rubber Pads.
- C. Apply the Rubber Pads to each corner on the bottom of the switch. These footpads can prevent the switch from shock/vibration.

Rack-mounted Installation

The 24-Port Fast Ethernet + 2-Port Gigabit Ethernet Combo Web Smart Switch comes with a rack-mounted kit and can be mounted in an EIA standard size, 19-inch Rack. The switch can be placed in a wiring closet with other equipment. Perform the following steps to rack mount the switch:

- A. Position one bracket to align with the holes on one side of the switch and secure it with the smaller bracket screws. Then attach the remaining bracket to the other side of the switch.
- B. After having attached mounting brackets, position the 24-Port Fast Ethernet + 2-Port Gigabit Ethernet Combo Web Smart Switch in the rack by lining up the holes in the brackets with the appropriate holes on the rack. Secure the switch to the rack with a screwdriver and the rack-mounting screws.

[NOTE] For proper ventilation, it allows about at least 4 inches (10 cm) of clearance on the front and 3.4 inches (8 cm) on the back of the Switch. This is especially important for enclosed rack installation.

Power On

Connect the power cord to the power socket on the rear panel of the Switch. The other side of power cord connects to the power outlet. The internal power supply of the Switch works with voltage in the range of 100-240V_{AC} and Frequency of 50~60Hz. Check the power indicator on the front panel to see if power is properly supplied.

Network Application

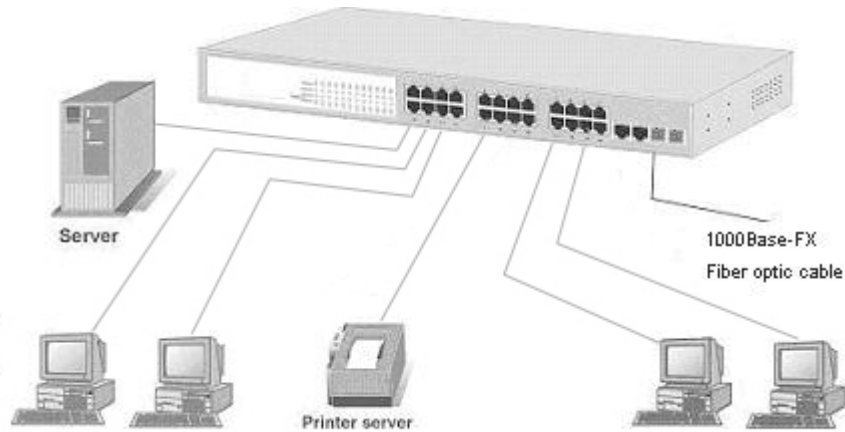
This section provides you a few samples of network topology in which the switch is used. In general, the 24-Port Fast Ethernet + 2-Port Gigabit Ethernet Combo Web Smart Switch is designed as a segment switch which with its large address table (4k MAC address) and high performance, it is ideal for interconnecting networking segments.

PC, workstations, and servers can communicate each other by directly connecting with 24-Port Fast Ethernet + 2-Port Gigabit Ethernet Combo Web Smart Switch. The switch automatically learns nodes address, which are subsequently used to filter and forward all traffic based on the destination address.

By using Uplink port, the switch can connect with another switch or hub to interconnect other small-switched workgroups to form a larger switched network. Meanwhile, the user can also use fiber ports to connect switches. The distance between two switches by connecting with fiber cable can be up to 550 m (multi-mode fiber) or 10 kilometer (single-mode fiber).

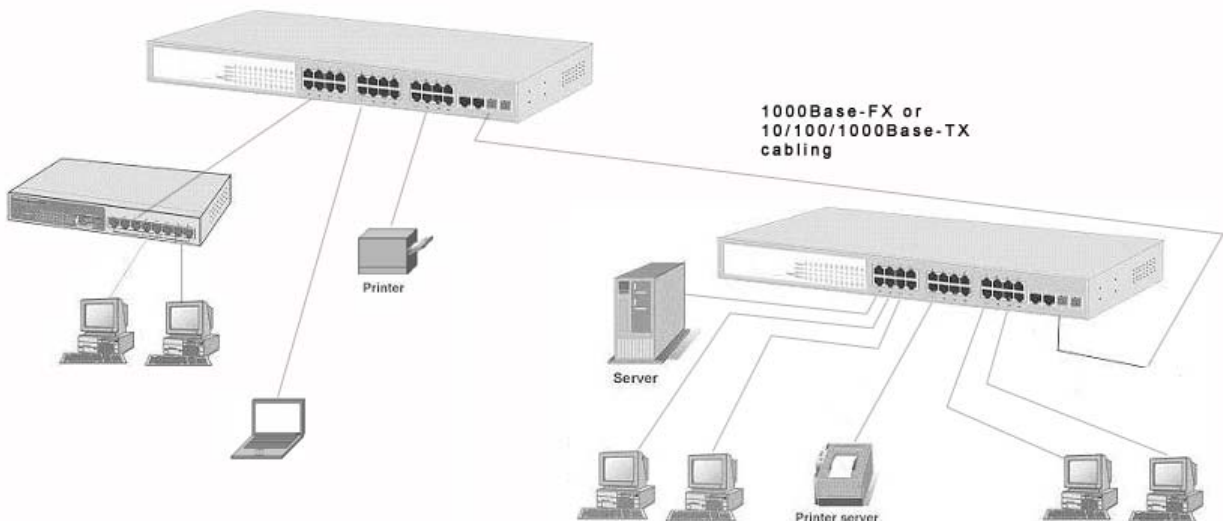
Small Workgroup

The 24-Port Fast Ethernet + 2-Port Gigabit Ethernet Combo Web Smart Switch can be used as a standalone switch to which personal computers, server, printer server, are directly connected to form a small workgroup.



Segment Uplink

In the illustration below, two Ethernet switches (with PCs, print server, and local server attached) are connected via 1000-FX or 10/100/1000Base-TX cable. All the devices in this network can communicate with each other through the switches. Connecting servers to the switch allows other users to access the data on server.



Web-Based Management

This section introduces the configuration and functions of the Web-Based management.

About Web-based Management

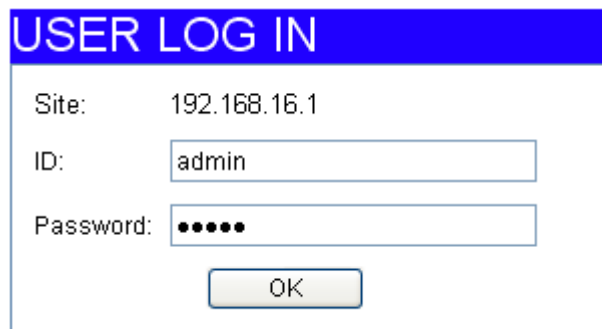
An embedded HTML web site resides in flash memory on the CPU board of the switch. It offers advanced management features and allows users to manage the switch from anywhere on the network through a standard browser such as Microsoft Internet Explorer.

The Web-Based Management supports Internet Explorer 6.0. It is based on Java Applets with an aim to reduce network bandwidth consumption, enhance access speed and present an easy viewing screen.

The Web management only allows **one person** to log in at the same time. With the first user logging, the system will force him to be logged out when the second user tries to log in the system.

User Login

1. Launch the Internet Explorer.
2. Key in 'http://' and the IP address assigned to the 24-Port Fast Ethernet + 2-Port Gigabit Ethernet Combo Web Smart Switch. Then, press “**Enter**”.
3. The login screen appears.
4. Key in ID & Password. The default login ID and password are “**admin**”.
5. Click “**OK**”, then the main page of the Web-based management appears.



24-Port Fast Ethernet + 2-Port Gigabit Ethernet Combo Web Smart Switch

Main Page



Main Page of 24-Port Fast Ethernet + 2-Port Gigabit Ethernet Combo Web Smart Switch

Administrator

Administrator includes Authentication Configuration, System IP Configuration, System Status, and Load Default Setting.

Authentication Configuration

Change web management login user name and password for the management security issue.

- 1. **Username:** Type in the new user name (The default value is 'admin').
- 2. **Password:** Type in the new password (The default value is 'admin').
- 3. **Confirm password:** Re-type the new password.
- 4. And then, click

Authentication Configuration	
Setting	Value
Username	<input type="text" value="admin"/> max: 15 Characters
Password	<input type="password" value="•••••"/> max: 15 Characters
Confirm Password	<input type="password" value="•••••"/>
<input type="button" value="Update"/>	

User Authentication Configuration interface

System IP Configuration

User can configure the IP Settings and DHCP client function in here.

- **IP Address:** Manually assign the IP address that the network is using. If DHCP function is enabled, the user doesn't need to assign the IP address. And, the network DHCP server will assign the IP address displaying in this column for the switch. The default IP is 192.168.16.1.
- **Subnet Mask:** Assign the subnet mask to the IP address. If DHCP function is enabled, and then the user does not need to assign the subnet mask.
- **Gateway:** Assign the network gateway for the industrial switch. The default gateway is 192.168.16.254.
- **IP Configure:** Select the IP addressing mode—Static or DHCP. With Static mode, the user has to fill in IP address, Subnet Mask and Gateway in the fields respectively. When the radio button of DHCP is selected, the switch will be assigned an IP address from the network DHCP server. The default IP address will be replaced by the assigned IP address on DHCP server.
- Click the Update button to apply the setting.

System IP Configuration

Setting	Value
IP Address	<input type="text" value="192"/> . <input type="text" value="168"/> . <input type="text" value="16"/> . <input type="text" value="1"/>
Subnet Mask	<input type="text" value="255"/> . <input type="text" value="255"/> . <input type="text" value="255"/> . <input type="text" value="0"/>
Gateway	<input type="text" value="192"/> . <input type="text" value="168"/> . <input type="text" value="16"/> . <input type="text" value="254"/>
IP Configure	<input checked="" type="radio"/> Static <input type="radio"/> DHCP
<input type="button" value="Update"/>	

System IP Configuration interface

System Status

This page displays the information about the switch's MAC address, how many ports it has, system version and kernel version. Besides, users can also fill in up to 12 characters in the Comment field for note.

- **MAC Address:** Displays the unique hardware address assigned by manufacturer (default).
- **Number of Ports:** Displays how many ports there are in the switch.
- **Comment:** Users can fill in up to 12 characters in this field. Click the Update button to save the comments.
- **System Version:** Displays the switch's firmware version
- **Kernel Version:** Displays the kernel version
- And then, click button.

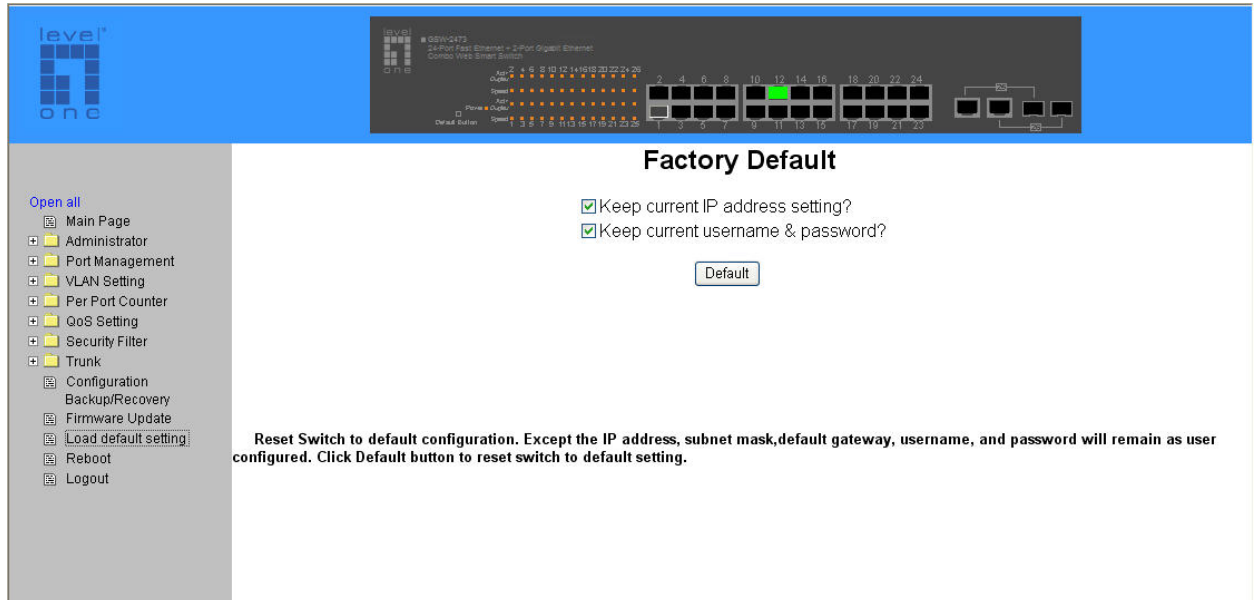
System Status

MAC Address	00:11:6b:f0:56:12
Number of Ports	24+2
Comment	<input type="text"/> <input type="button" value="Update"/>
System Version	V1.04
Kernerl Version	v1.1.5

System Status interface

Default Switch Setting and Reboot

Reset switch to default configuration. Click **Default** to reset all configurations to the default value.



Factory Default interface

When you see the information as below, close the web window and launch again after a while.

**switch default and reboot will take several
seconds,
please wait...**

Reboot in progress

Port Management

Port Management includes Port Configuration, Port Mirroring, Bandwidth Control, and Broadcast Storm Control.

Port Configuration

In Port Configuration, you can set and view the operation mode for each port.

- **Auto-Negotiation:** Enable and Disable. Being set as 'Enable', the Speed, Duplex mode, Pause, Backpressure, TX Capability and Address Learning are negotiated automatically. When you set it as 'Disable', you have to assign those items manually.
- **Speed:** When the Auto-Negotiation column is set as Disable, users have to set the connection speed to the ports ticked.
- **Duplex:** When the Auto-Negotiation column is set as Disable, users have to set the connection mode in Half/Full to the ports ticked.
- **Pause:** Flow Control for connection at speed of 10/100Mbps in Full-duplex mode.
- **Backpressure:** Flow Control for connection at speed of 10/100Mbps in Half-duplex mode.
- **TX Capability:** When the Auto-Negotiation column is set as Disable, users have to set this column as Enable or Disable.
- **Addr. Learning:** When the Auto-Negotiation column is set as Disable, users have to set this column as Enable or Disable.
- **Select Port No.:** Tick the check boxes beside the port numbers being set.
- Click Update to have the configuration take effect.
- **Current Status:** Displays current port status.
- **Setting Status:** Displays current.
- Click to make the configuration effective.

Port Configuration

Function	Auto-Negotiation	Speed	Duplex	Pause	Backpressure	Tx Capability	Addr. Learning
	<input type="text" value="---"/>	<input type="text" value="---"/>	<input type="text" value="---"/>	<input type="text" value="---"/>	<input type="text" value="---"/>	<input type="text" value="---"/>	<input type="text" value="---"/>
Select Port No.	<input type="checkbox"/> 01 <input type="checkbox"/> 02 <input type="checkbox"/> 03 <input type="checkbox"/> 04 <input type="checkbox"/> 05 <input type="checkbox"/> 06 <input type="checkbox"/> 07 <input type="checkbox"/> 08 <input type="checkbox"/> 09 <input type="checkbox"/> 10 <input type="checkbox"/> 11 <input type="checkbox"/> 12 <input type="checkbox"/> 13 <input type="checkbox"/> <input type="checkbox"/> 14 <input type="checkbox"/> 15 <input type="checkbox"/> 16 <input type="checkbox"/> 17 <input type="checkbox"/> 18 <input type="checkbox"/> 19 <input type="checkbox"/> 20 <input type="checkbox"/> 21 <input type="checkbox"/> 22 <input type="checkbox"/> 23 <input type="checkbox"/> 24 <input type="checkbox"/> 25 <input type="checkbox"/> 26 <input type="checkbox"/>						
<input type="button" value="Update"/>							

Port	Current Status				Setting Status						
	Link	Speed	Duplex	FlowCtrl	Nway	Speed	Duplex	Pause	Backpressure	Tx Cap	Addr. Learning
1	●	100M	Full	ON	Auto	100M	full	on	on	on	on
2	---	---	---	---	Auto	100M	full	on	on	on	on
3	---	---	---	---	Auto	100M	full	on	on	on	on
4	---	---	---	---	Auto	100M	full	on	on	on	on
5	---	---	---	---	Auto	100M	full	on	on	on	on
6	---	---	---	---	Auto	100M	full	on	on	on	on
7	---	---	---	---	Auto	100M	full	on	on	on	on
8	---	---	---	---	Auto	100M	full	on	on	on	on
9	●	100M	Full	ON	Auto	100M	full	on	on	on	on
10	---	---	---	---	Auto	100M	full	on	on	on	on
11	---	---	---	---	Auto	100M	full	on	on	on	on
12	---	---	---	---	Auto	100M	full	on	on	on	on
13	---	---	---	---	Auto	100M	full	on	on	on	on
14	---	---	---	---	Auto	100M	full	on	on	on	on
15	---	---	---	---	Auto	100M	full	on	on	on	on
16	●	100M	Full	ON	Auto	100M	full	on	on	on	on
17	---	---	---	---	Auto	100M	full	on	on	on	on
18	---	---	---	---	Auto	100M	full	on	on	on	on
19	---	---	---	---	Auto	100M	full	on	on	on	on
20	---	---	---	---	Auto	100M	full	on	on	on	on
21	---	---	---	---	Auto	100M	full	on	on	on	on
22	---	---	---	---	Auto	100M	full	on	on	on	on
23	---	---	---	---	Auto	100M	full	on	on	on	on
24	---	---	---	---	Auto	100M	full	on	on	on	on
25	●	1000M	Full	On	Auto	1000M	full	on	on	on	on
26	●	1000M	Full	On	Auto	1000M	full	on	on	on	on

Port Configuration interface

Port Mirroring

The Port mirroring is a method for monitoring traffic in switched networks. That Traffic through ports can be monitored by any of the ports means traffic goes in or out monitored (source) ports will be duplicated into mirroring (destination) port.

Port Mirroring

Dest Port	1	2	3	4	5	6	7	8	9	10	11	12	13
	<input type="checkbox"/>	<input type="checkbox"/>	<input type="checkbox"/>	<input type="checkbox"/>	<input type="checkbox"/>	<input type="checkbox"/>	<input type="checkbox"/>	<input type="checkbox"/>	<input type="checkbox"/>	<input type="checkbox"/>	<input type="checkbox"/>	<input type="checkbox"/>	<input type="checkbox"/>
	14	15	16	17	18	19	20	21	22	23	24	25	26
	<input type="checkbox"/>	<input type="checkbox"/>	<input type="checkbox"/>	<input type="checkbox"/>	<input type="checkbox"/>	<input type="checkbox"/>	<input type="checkbox"/>	<input type="checkbox"/>	<input type="checkbox"/>	<input type="checkbox"/>	<input type="checkbox"/>	<input type="checkbox"/>	<input type="checkbox"/>
Monitored Packets	<div style="border: 1px solid black; padding: 2px;"> Disable <div style="border: 1px solid black; padding: 2px; margin-top: 2px;"> Disable </div> </div>												
Source Port	Rx		3	4	5	6	7	8	9	10	11	12	13
	Tx		<input type="checkbox"/>	<input type="checkbox"/>	<input type="checkbox"/>	<input type="checkbox"/>	<input type="checkbox"/>	<input type="checkbox"/>	<input type="checkbox"/>	<input type="checkbox"/>	<input type="checkbox"/>	<input type="checkbox"/>	<input type="checkbox"/>
	Tx & Rx												
	<input type="checkbox"/>	<input type="checkbox"/>	<input type="checkbox"/>	<input type="checkbox"/>	<input type="checkbox"/>	<input type="checkbox"/>	<input type="checkbox"/>	<input type="checkbox"/>	<input type="checkbox"/>	<input type="checkbox"/>	<input type="checkbox"/>	<input type="checkbox"/>	<input type="checkbox"/>
<input type="button" value="Update"/>													
Multi to Multi Sniffer function													

Port Mirroring interface

- **Dest Port:** Tick the check boxes beneath the port number label to be the destination (mirroring) port for monitoring Rx only, Tx only or both RX and TX traffic which come from the source port. Users can connect the mirroring port to LAN analyzer or Netxray.
- **Monitored Pckets:** Pull down the selection menu to choose what kind of packet is to be monitored.
- **Source Port:** The ports that the user wants to monitor. All monitored port traffic will be copied to mirroring (destination) port. Users can select multiple source ports by ticking the check boxes beneath the port number label to be monitored.
- And then, click to have the configuration take effect.

Bandwidth Control


You can set up every port's frame limitation type and bandwidth rate.

Bandwidth Control

Speed Base	Low <input type="button" value="v"/> Low: 32Kbps for port1~port26, maximum value will be 8M High: 256Kbps for port1~port24, maximum value will be 64M. 2048Kbps for port25/26, maximum tx value will be 510M and maximum rx value will be 765M Note: changing the speed base will cause all bandwidth control setting to default!						
Port No	Tx Rate	Rx Rate					
<input type="button" value="01"/> <input type="button" value="v"/>	<input type="button" value="No Limit"/> <input type="button" value="v"/>	<input type="button" value="No Limit"/> <input type="button" value="v"/>					
<input type="button" value="Update"/>							
Port No	Tx Rate	Rx	Link Speed	Port No	Tx Rate	Rx Rate	Link Speed
1	No Limit	No Limit	---	14	No Limit	No Limit	100M
2	No Limit	No Limit	---	15	No Limit	No Limit	---
3	No Limit	No Limit	---	16	No Limit	No Limit	---
4	No Limit	No Limit	---	17	No Limit	No Limit	---
5	No Limit	No Limit	---	18	No Limit	No Limit	---
6	No Limit	No Limit	---	19	No Limit	No Limit	---
7	No Limit	No Limit	---	20	No Limit	No Limit	---
8	No Limit	No Limit	---	21	No Limit	No Limit	---
9	No Limit	No Limit	---	22	No Limit	No Limit	---
10	No Limit	No Limit	---	23	No Limit	No Limit	---
11	No Limit	No Limit	---	24	No Limit	No Limit	---
12	No Limit	No Limit	---	25	No Limit	No Limit	---
13	No Limit	No Limit	---	26	No Limit	No Limit	---

Bandwidth Control interface

- Speed Base:** Pull down the selection menu item to choose the speed base in low or high mode. As the picture shows,

- **Port No:** Pull down the selection menu to choose a port to be configured.
- **Tx Rate:** Pull down the selection menu to choose the transmitting rate. When **Speed Base** is set as Low, the transmitting rate for all the ports is in the range between 32K bytes and 8M bytes. When **Speed Base** is set as High, the transmitting rate for port 1 ~ 24 is in the range between 256K bytes and 64M bytes; the transmitting rate for port 25 & 26 is in the range between 2M bytes and 510M bytes.
- **Rx Rate:** Pull down the selection menu to choose the receiving rate. When **Speed Base** is set as Low, the receiving rate for all the ports is in the range between 32K bytes and 8M bytes. When **Speed Base** is set as High, the transmitting rate for port 1 ~ 24 is in the range between 256K bytes and 64N bytes; the receiving rate for port 25 & 26 is in the range between 2M bytes and 765M bytes.
- And then, click  to make the settings taken effect.

Broadcast Storm Control

The switch implements a broadcast storm control mechanism. Tick the check boxes to have them beginning to drop incoming broadcast packets if the received broadcast packet counts reach the threshold defined. Each port's broadcast storm protection function can be enabled individually by ticking the check boxes.

Broadcast Storm Control

Threshold	<input type="text" value="63"/> 1~63												
Enable Port	1	2	3	4	5	6	7	8	9	10	11	12	13
	<input type="checkbox"/>	<input type="checkbox"/>	<input type="checkbox"/>	<input type="checkbox"/>	<input type="checkbox"/>	<input type="checkbox"/>	<input type="checkbox"/>	<input type="checkbox"/>	<input type="checkbox"/>	<input type="checkbox"/>	<input type="checkbox"/>	<input type="checkbox"/>	<input type="checkbox"/>
	14	15	16	17	18	19	20	21	22	23	24	25	26
	<input type="checkbox"/>	<input type="checkbox"/>	<input type="checkbox"/>	<input type="checkbox"/>	<input type="checkbox"/>	<input type="checkbox"/>	<input type="checkbox"/>	<input type="checkbox"/>	<input type="checkbox"/>	<input type="checkbox"/>	<input type="checkbox"/>	<input type="checkbox"/>	<input type="checkbox"/>
<input type="button" value="Update"/>													
<p>This value indicates the number of broadcast packet which is allowed to enter each port in one time unit. One time unit is 50us for Gigabit speed, 500 us for 100Mbps speed and 5000us for 10Mbps speed 1 second = 1000000 us ex: When Speed = 100 Mbps , Threshold =1 $1000000 / 500 \text{ us} = 2000$ $2000 * 1 (\text{Threshold}) = 2000 \text{ frame / sec}$</p>													

Broadcast Storm Control interface

- **Threshold:** Type in the threshold in the range between 1 and 63 to limit the maximum byte counts, which a port can send or receive in a period of time.
- **Enable Port:** Having ticked the boxes, the port will stop transmitting or receiving data when their sending byte counts or receiving byte counts reach the defined threshold.
- Click Update to have the configuration take effect.

VLAN Setting

A Virtual LAN (VLAN) is a logical network grouping that limits the broadcast domain, which would allow you to isolate network traffic, so only the members of the same VLAN will receive traffic from the ones of the same VLAN. Basically, creating a VLAN from a switch is logically equivalent of reconnecting a group of network devices to another Layer 2 switch. However, all the network devices are still plugged into the same switch physically.

VLAN Member Setting (Port Based)

The switch provides port based VLAN configuration. Users can enable the function via VLAN member setting. That is a set of ports allowed to be forwarded from the source port. The overall number of VLAN groups that this switch can support is 26.

- **VLAN Entry No.:** Pull down the selection menu item and choose a number to define a VLAN.
- **Read:** Users might want to edit an existent VLAN by selecting the VLAN number and then click read button to display the member ports of the VLAN.
- **Dest PORT:** The label of each port.
- **Select:** Tick the check boxes to have the ports being the members of the VLAN.
- Click Update to have the configuration take effect.
- **VLAN MEMBER:** Displays the member ports for all the ports.

VLAN Member Setting (Port Based)

VLAN Entry No.	<input type="text" value="01"/> <input type="button" value="Read"/>												
Dest PORT	01	02	03	04	05	06	07	08	09	10	11	12	13
select	<input checked="" type="checkbox"/>	<input checked="" type="checkbox"/>	<input checked="" type="checkbox"/>	<input checked="" type="checkbox"/>	<input checked="" type="checkbox"/>	<input checked="" type="checkbox"/>	<input checked="" type="checkbox"/>	<input checked="" type="checkbox"/>	<input checked="" type="checkbox"/>	<input checked="" type="checkbox"/>	<input checked="" type="checkbox"/>	<input checked="" type="checkbox"/>	<input checked="" type="checkbox"/>
Dest PORT	14	15	16	17	18	19	20	21	22	23	24	25	26
select	<input checked="" type="checkbox"/>	<input checked="" type="checkbox"/>	<input checked="" type="checkbox"/>	<input checked="" type="checkbox"/>	<input checked="" type="checkbox"/>	<input checked="" type="checkbox"/>	<input checked="" type="checkbox"/>	<input checked="" type="checkbox"/>	<input checked="" type="checkbox"/>	<input checked="" type="checkbox"/>	<input checked="" type="checkbox"/>	<input checked="" type="checkbox"/>	<input checked="" type="checkbox"/>
<input type="button" value="Update"/>													

VLAN MEMBER																											
VLAN Entry No.	--	1	2	3	4	5	6	7	8	9	10	11	12	13	14	15	16	17	18	19	20	21	22	23	24	25	26
1	--	v	v	v	v	v	v	v	v	v	v	v	v	v	v	v	v	v	v	v	v	v	v	v	v	v	v
2	--	-	-	-	-	-	-	-	-	-	-	-	-	-	-	-	-	-	-	-	-	-	-	-	-	-	-
3	--	-	-	-	-	-	-	-	-	-	-	-	-	-	-	-	-	-	-	-	-	-	-	-	-	-	-
4	--	-	-	-	-	-	-	-	-	-	-	-	-	-	-	-	-	-	-	-	-	-	-	-	-	-	-
5	--	-	-	-	-	-	-	-	-	-	-	-	-	-	-	-	-	-	-	-	-	-	-	-	-	-	-
6	--	-	-	-	-	-	-	-	-	-	-	-	-	-	-	-	-	-	-	-	-	-	-	-	-	-	-
7	--	-	-	-	-	-	-	-	-	-	-	-	-	-	-	-	-	-	-	-	-	-	-	-	-	-	-
8	--	-	-	-	-	-	-	-	-	-	-	-	-	-	-	-	-	-	-	-	-	-	-	-	-	-	-
9	--	-	-	-	-	-	-	-	-	-	-	-	-	-	-	-	-	-	-	-	-	-	-	-	-	-	-
10	--	-	-	-	-	-	-	-	-	-	-	-	-	-	-	-	-	-	-	-	-	-	-	-	-	-	-
11	--	-	-	-	-	-	-	-	-	-	-	-	-	-	-	-	-	-	-	-	-	-	-	-	-	-	-
12	--	-	-	-	-	-	-	-	-	-	-	-	-	-	-	-	-	-	-	-	-	-	-	-	-	-	-
13	--	-	-	-	-	-	-	-	-	-	-	-	-	-	-	-	-	-	-	-	-	-	-	-	-	-	-
14	--	-	-	-	-	-	-	-	-	-	-	-	-	-	-	-	-	-	-	-	-	-	-	-	-	-	-
15	--	-	-	-	-	-	-	-	-	-	-	-	-	-	-	-	-	-	-	-	-	-	-	-	-	-	-
16	--	-	-	-	-	-	-	-	-	-	-	-	-	-	-	-	-	-	-	-	-	-	-	-	-	-	-
17	--	-	-	-	-	-	-	-	-	-	-	-	-	-	-	-	-	-	-	-	-	-	-	-	-	-	-
18	--	-	-	-	-	-	-	-	-	-	-	-	-	-	-	-	-	-	-	-	-	-	-	-	-	-	-
19	--	-	-	-	-	-	-	-	-	-	-	-	-	-	-	-	-	-	-	-	-	-	-	-	-	-	-
20	--	-	-	-	-	-	-	-	-	-	-	-	-	-	-	-	-	-	-	-	-	-	-	-	-	-	-
21	--	-	-	-	-	-	-	-	-	-	-	-	-	-	-	-	-	-	-	-	-	-	-	-	-	-	-
22	--	-	-	-	-	-	-	-	-	-	-	-	-	-	-	-	-	-	-	-	-	-	-	-	-	-	-
23	--	-	-	-	-	-	-	-	-	-	-	-	-	-	-	-	-	-	-	-	-	-	-	-	-	-	-
24	--	-	-	-	-	-	-	-	-	-	-	-	-	-	-	-	-	-	-	-	-	-	-	-	-	-	-
25	--	-	-	-	-	-	-	-	-	-	-	-	-	-	-	-	-	-	-	-	-	-	-	-	-	-	-
26	--	-	-	-	-	-	-	-	-	-	-	-	-	-	-	-	-	-	-	-	-	-	-	-	-	-	-
VLAN Entry No.	--	1	2	3	4	5	6	7	8	9	10	11	12	13	14	15	16	17	18	19	20	21	22	23	24	25	26
VLAN MEMBER																											

VLAN Member Setting (Port Based) interface

VLAN Mode

Tagged-based VLAN is an IEEE 802.1Q specification standard. Therefore, it is possible to create a VLAN across devices from different switch vendors. IEEE 802.1Q VLAN uses a technique to insert a “tag” into the Ethernet frames. Tag contains a VLAN Identifier (VID) that indicates the VLAN numbers. Please notice that this page is only for Tag Based VLAN.

VLAN Mode

VLAN Mode	<input type="button" value="Tag Based"/> VLAN					
UplinkPort / Tag Mode	01	02	03	04	05	06
	<input type="radio"/> Uplink <input type="radio"/> AddTag <input checked="" type="radio"/> don't care <input type="radio"/> RemoveTag	<input type="radio"/> Uplink <input type="radio"/> AddTag <input checked="" type="radio"/> don't care <input type="radio"/> RemoveTag	<input type="radio"/> Uplink <input type="radio"/> AddTag <input checked="" type="radio"/> don't care <input type="radio"/> RemoveTag	<input type="radio"/> Uplink <input type="radio"/> AddTag <input checked="" type="radio"/> don't care <input type="radio"/> RemoveTag	<input type="radio"/> Uplink <input type="radio"/> AddTag <input checked="" type="radio"/> don't care <input type="radio"/> RemoveTag	<input type="radio"/> Uplink <input type="radio"/> AddTag <input checked="" type="radio"/> don't care <input type="radio"/> RemoveTag
	07	08	09	10	11	12
	<input type="radio"/> Uplink <input type="radio"/> AddTag <input checked="" type="radio"/> don't care <input type="radio"/> RemoveTag	<input type="radio"/> Uplink <input type="radio"/> AddTag <input checked="" type="radio"/> don't care <input type="radio"/> RemoveTag	<input type="radio"/> Uplink <input type="radio"/> AddTag <input checked="" type="radio"/> don't care <input type="radio"/> RemoveTag	<input type="radio"/> Uplink <input type="radio"/> AddTag <input checked="" type="radio"/> don't care <input type="radio"/> RemoveTag	<input type="radio"/> Uplink <input type="radio"/> AddTag <input checked="" type="radio"/> don't care <input type="radio"/> RemoveTag	<input type="radio"/> Uplink <input type="radio"/> AddTag <input checked="" type="radio"/> don't care <input type="radio"/> RemoveTag
	13	14	15	16	17	18
<input type="radio"/> Uplink <input type="radio"/> AddTag <input checked="" type="radio"/> don't care <input type="radio"/> RemoveTag	<input type="radio"/> Uplink <input type="radio"/> AddTag <input checked="" type="radio"/> don't care <input type="radio"/> RemoveTag	<input type="radio"/> Uplink <input type="radio"/> AddTag <input checked="" type="radio"/> don't care <input type="radio"/> RemoveTag	<input type="radio"/> Uplink <input type="radio"/> AddTag <input checked="" type="radio"/> don't care <input type="radio"/> RemoveTag	<input type="radio"/> Uplink <input type="radio"/> AddTag <input checked="" type="radio"/> don't care <input type="radio"/> RemoveTag	<input type="radio"/> Uplink <input type="radio"/> AddTag <input checked="" type="radio"/> don't care <input type="radio"/> RemoveTag	
19	20	21	22	23	24	
<input type="radio"/> Uplink <input type="radio"/> AddTag <input checked="" type="radio"/> don't care <input type="radio"/> RemoveTag	<input type="radio"/> Uplink <input type="radio"/> AddTag <input checked="" type="radio"/> don't care <input type="radio"/> RemoveTag	<input type="radio"/> Uplink <input type="radio"/> AddTag <input checked="" type="radio"/> don't care <input type="radio"/> RemoveTag	<input type="radio"/> Uplink <input type="radio"/> AddTag <input checked="" type="radio"/> don't care <input type="radio"/> RemoveTag	<input type="radio"/> Uplink <input type="radio"/> AddTag <input checked="" type="radio"/> don't care <input type="radio"/> RemoveTag	<input type="radio"/> Uplink <input type="radio"/> AddTag <input checked="" type="radio"/> don't care <input type="radio"/> RemoveTag	
25	26					
<input type="radio"/> Uplink <input type="radio"/> AddTag <input checked="" type="radio"/> don't care <input type="radio"/> RemoveTag	<input type="radio"/> Uplink <input type="radio"/> AddTag <input checked="" type="radio"/> don't care <input type="radio"/> RemoveTag					
<p>Note:two vlans will exchange packets across uplink port.You can set only one uplink port.</p>						
<div style="text-align: center;"> <input type="button" value="Update"/> <input type="button" value="Clear Uplink"/> </div>						

VLAN Mode interface

- **VLAN Mode:** Displays VLAN mode.
- **UplinkPort/Tag Mode:** There are four radio buttons—Uplink, AddTag, don't

care, and RemoveTag—for selecting.

- **Uplink:** In normal operation, if the destination and source are located in different VLANs, the packets will be dropped. Having ticked the radio button, the port is configured as an up-link port which is used in an application such as virus check or firewall. For example, the two up-link ports are located in different VLANs and are connected to a virus check station or firewall. The virus check station or firewall will check whether the packet contains the virus pattern. If not containing the virus pattern, this packet will be forwarded to the up-link port located in different VLANs.
- **AddTag:** A tag port always adds a tag to a forwarded packet with VID selected by PVID.
- **Don't care:** If the NIC of a PC doesn't support 802.1Q VLAN tagging, select this radio button to ignore the packets tagged.
- **RemoveTag:** An un-tagged port always removes a tag from a forwarded packet.

VLAN PVID Index Setting

The switch supports a 32-entry VLAN table to provide 32 active VLANs out of 4096 VLANs defined in IEEE802.1Q. User can define 32 VID entries in the VID table and enable the tag VLAN function. When a tagged packet is received, the switch compares the VID field in the packet with the ones defined in the VID table. If it is not matched, the switch drops the packet. If it is matched, the switch uses the corresponding index to select one of the 32-entry in the VLAN table as an output port mask. That is, a set of ports, to which the packet can be forwarded to. The switch forwards the packet according to MAC address and the output port mask. If the source port is not one of the members in the VLAN table entry, the switch drops the packet.

When an un-tagged packet is received, the switch uses the default PVID for the source port as index to the VID of the packet. The switch forwards the packet in the same way as mentioned above.

- **Port:** Labeled as the port number.
- **PVID Index (1 ~ 32):** Define the index of PVID.

VLAN PVID Index Setting

PVID index	PVID index value is 1~32												
Port/ PVID Index	01 <input type="text" value="1"/>	02 <input type="text" value="2"/>	03 <input type="text" value="3"/>	04 <input type="text" value="4"/>	05 <input type="text" value="5"/>	06 <input type="text" value="6"/>	07 <input type="text" value="7"/>	08 <input type="text" value="8"/>	09 <input type="text" value="9"/>	10 <input type="text" value="10"/>	11 <input type="text" value="11"/>	12 <input type="text" value="12"/>	13 <input type="text" value="13"/>
Port/ PVID Index	14 <input type="text" value="14"/>	15 <input type="text" value="15"/>	16 <input type="text" value="16"/>	17 <input type="text" value="17"/>	18 <input type="text" value="18"/>	19 <input type="text" value="19"/>	20 <input type="text" value="20"/>	21 <input type="text" value="21"/>	22 <input type="text" value="22"/>	23 <input type="text" value="23"/>	24 <input type="text" value="24"/>	25 <input type="text" value="25"/>	26 <input type="text" value="26"/>
<input type="button" value="Update"/> <input type="button" value="Refresh"/>													

Per Port Counter

This page displays the statistics of each port. Four counter categories—**Receive Packet & Transmit Packet**, **Collision Count & Transmit Packet**, **Drop Packet & Receive Packet**, and **CRC error Packet & Receive Packet**—are available to be chosen.

- **Receive Packet & Transmit Packet:** Displays the counts of received and transmitted packets of each port.
- **Collision Count & Transmit Packet:** Displays the counts of collision occurred and the counts of transmitted packets.
- **Drop Packet & Receive Packet:** Displays the counts of dropped and received packets.
- **CRC error Packet & Receive Packet:** Displays the counts of CRC error occurred and received packets.

Counter Category

Counter Mode Selection: Receive Packet & Transmit Packet		
Port		Transmit Packet
01		0
02	0	0
03	0	0
04	0	0
05	0	0
06	0	0
07	0	0
08	0	0
09	0	0
10	0	0
11	0	0
12	0	0
13	0	0
14	0	0
15	0	0
16	228	350
17	0	0
18	0	0
19	0	0
20	0	0
21	0	0
22	0	0
23	0	0
24	0	0
25	0	0
26	0	0

Update
Refresh

Per Port Counter interface

QoS Setting

Here you can configure QoS policy priority mode and CoS (Class of Service) configuration. QoS (Quality of Service) refers to mechanisms in the network software that make the actual determination of which packets have priority. CoS refers to feature sets, or groups of services, that are assigned to users based on company policy. If a feature set includes priority transmission, then CoS winds up being implemented in QoS functions within the routers and switches in the network. In an enterprise network, class of service (CoS) differentiates high-priority traffic from lower-priority traffic. Tags may be added to the packets to identify such classes, but they do not guarantee delivery as do quality of service (QoS) functions, which are implemented in the network devices.

Priority Mode

There are three priority modes available to specify the priority of packets being serviced. Those include First-In-First-Out, All-High-Before-Low, and Weight-Round-Robin.

- **First-In-First-Out:** Packets are placed into the queue and serviced in the order they were received.
- **All-High-Before-Low:** The packets of low weight will be serviced after all of the packets of high weight are serviced.
- **Weight-Round-Robin:** All queues are serviced round-robin: a packet from one queue, a packet from the next and so on. Similar to round-robin, WRR (Weight-Round-Robin) means packets are accessed round-robin style, but weight can be given priorities. For example, four packets from a high weight might be serviced, followed by two from a low weight.
- Select the priority mode by click the radio button beside the mode name and click Update to have the configuration take effect.

Priority Mode

Priority Mode	
Mode	<input checked="" type="radio"/> First-In-First-Out <input type="radio"/> All-High-before-Low <input type="radio"/> Weight-Round-Robin. Low weight: <input type="text" value="0"/> High weight: <input type="text" value="0"/>
<input type="button" value="Update"/>	
<p>Note: When the queue weight is set to "0", it will be treated as "8". The "low weight" and "high weight" means the ratio of the packet in the transmit queue. For example, If "low weight" and "high weight" are set to "3" and "5", the ratio of the transmit packet for the low priority to high priority is 3/5.</p>	

Priority Mode interface

Class of Service Configuration

Class of Service (CoS) is a 3-bit field within a layer two Ethernet frame header using IEEE 802.1Q. Class of Service (CoS) is a way of managing traffic in a network by grouping similar types of traffic (for example, e-mail, streaming video, voice, large document file transfer) together and treating each type as a class with its own level of service priority. Unlike Quality of Service (QoS) traffic management, Class of Service technologies do not guarantee a level of service in terms of bandwidth and delivery time; they offer a "best-effort."

- **Enable High Priority:** When this check box is ticked, the packets passing through the following ports will be serviced in accordance with the mode of Port-based or VLAN Tag-based.
- **Port No:** The label of each port.
- **Port Base:** Tick this check box to apply the priority rule to the packets passing through the ticked ports.
- **VLAN Tag:** Tick this check box to apply the priority rule to the packets passing the ticked ports by checking the 3-bit field within the frame header.

Class of Service Configuration

<input checked="" type="checkbox"/> =Enable High Priority					
Port No\Mode	Port Base	VLAN Tag	Port No\Mode	Port Base	VLAN Tag
1	<input type="checkbox"/>	<input type="checkbox"/>	14	<input type="checkbox"/>	<input type="checkbox"/>
2	<input type="checkbox"/>	<input type="checkbox"/>	15	<input type="checkbox"/>	<input type="checkbox"/>
3	<input type="checkbox"/>	<input type="checkbox"/>	16	<input type="checkbox"/>	<input type="checkbox"/>
4	<input type="checkbox"/>	<input type="checkbox"/>	17	<input type="checkbox"/>	<input type="checkbox"/>
5	<input type="checkbox"/>	<input type="checkbox"/>	18	<input type="checkbox"/>	<input type="checkbox"/>
6	<input type="checkbox"/>	<input type="checkbox"/>	19	<input type="checkbox"/>	<input type="checkbox"/>
7	<input type="checkbox"/>	<input type="checkbox"/>	20	<input type="checkbox"/>	<input type="checkbox"/>
8	<input type="checkbox"/>	<input type="checkbox"/>	21	<input type="checkbox"/>	<input type="checkbox"/>
9	<input type="checkbox"/>	<input type="checkbox"/>	22	<input type="checkbox"/>	<input type="checkbox"/>
10	<input type="checkbox"/>	<input type="checkbox"/>	23	<input type="checkbox"/>	<input type="checkbox"/>
11	<input type="checkbox"/>	<input type="checkbox"/>	24	<input type="checkbox"/>	<input type="checkbox"/>
12	<input type="checkbox"/>	<input type="checkbox"/>	25	<input type="checkbox"/>	<input type="checkbox"/>
13	<input type="checkbox"/>	<input type="checkbox"/>	26	<input type="checkbox"/>	<input type="checkbox"/>
<input type="button" value="Update"/>					
As long as any of three COS schemes(802.1p or Port Base) is mapped to "high", the data packet will be treated as the high priority.					

Class of Service Configuration interface

Security Filter

This function provides the security which only the MAC addresses bound with the port are allowed to access it.

- **Port No:** Displays the port number being assigned the MAC addresses.
- **MAC Address:** Users can assign up to 3 MAC addresses to the port.
- **Read:** Pull down the selection bar to choose a port number and click the Read button to show the MAC addresses bound with the port or modify the MAC addresses.
- **Select Port:** Pull down the selection menu bar to choose a port number to be set.
- **Binding:** Enable or disable the binding function.
- Click Update to have the configuration take effect.

MAC Address Filter

Port No	MAC Address																		
1	<table border="1"> <tr> <td>12</td><td>34</td><td>56</td><td>78</td><td>90</td><td>ab</td> </tr> <tr> <td>ff</td><td>ff</td><td>ff</td><td>ff</td><td>ff</td><td>ff</td> </tr> <tr> <td>ff</td><td>ff</td><td>ff</td><td>ff</td><td>ff</td><td>ff</td> </tr> </table> <input type="button" value="Read"/>	12	34	56	78	90	ab	ff	ff	ff	ff	ff	ff	ff	ff	ff	ff	ff	ff
12	34	56	78	90	ab														
ff	ff	ff	ff	ff	ff														
ff	ff	ff	ff	ff	ff														
Select Port <input type="text" value="01"/> Binding <input type="text" value="Disable"/> <input type="button" value="Update"/>																			

Port No	Binding Status	Port No	Binding Status
1	Enable	14	Disable
2	Enable	15	Disable
3	Enable	16	Disable
4	Disable	17	Disable
5	Disable	18	Disable
6	Disable	19	Disable
7	Disable	20	Disable
8	Disable	21	Disable
9	Disable	22	Disable
10	Disable	23	Disable
11	Disable	24	Disable
12	Disable	25	Disable
13	Disable	26	Disable

MAC Address Filter interface

Trunk

Port trunk allows multiple links to be bundled together and act as a single physical link for increased throughput. It provides load balancing, and redundancy of links in a switched inter-network. Actually, the link does not have an inherent total bandwidth equal to the sum of its component physical links. Traffic in a trunk is distributed across an individual link within the trunk in a deterministic method that called a hash algorithm. The hash algorithm automatically applies load balancing to the ports in the trunk. A port failure within the trunk group causes the network traffic to be directed to the remaining ports. Load balancing is maintained whenever a link in a trunk is lost or returned to service. This switch may use Port ID, Source MAC Address, Destination MAC Address, or a combination of Source MAC Address and Destination MAC Address to be the selection for Trunk Hash Algorithm. Traffic pattern on the network should be considered carefully before applying it. When a proper hash algorithm is used, traffic is kind of randomly decided to be transmitted across either link within the trunk and load balancing will be seen.

Trunk Configuration

- **Trunk Hash Algorithm Selection:** Click on the radio button to choose the method for trunk hash algorithm.

When trunk type is set in LACP mode, the trunk group is using LACP which allows bundling several physical ports together to form a single logical channel. A port which joins an LACP trunk group has to make an agreement with its member ports first. LACP allows a network switch to negotiate an automatic bundle by sending LACP packets to the peer. LACP is a protocol implementation in OSI layer 2 which controls through which physical links the traffic will be routed.

Set the trunk type in Static mode to configure the trunk group as a static one. The advantage of static mode is that a port joins the trunk group without any handshaking with its member ports. But member ports won't know that they should

be aggregated together to form a logic trunk group.

- **Trunk 0:** There are four ports—port 1 to port 4—can be involved in a trunk group. Tick at least two check boxes and select the trunk type to configure Trunk 0.
- **Trunk 1:** There are four ports—port 5 to port 8—can be involved in a trunk group. Tick at least two check boxes and select the trunk type to configure Trunk 1.
- **Trunk 2:** There are two ports—port 25 and port 26—can be involved in trunk group 2. Tick at least two check boxes and select the trunk type to configure Trunk 2.
- Click Update to have the configuration take effect.

Trunk Configuration

Trunk Hash Algorithm Selection		<input type="radio"/> Port ID <input checked="" type="radio"/> SA <input type="radio"/> DA <input type="radio"/> SA & DA			
Trunk0	Type: LACP Type: Static Type: LACP	Port1	Port2	Port3	Port4
		<input checked="" type="checkbox"/>	<input checked="" type="checkbox"/>	<input type="checkbox"/>	<input type="checkbox"/>
Trunk1	Type: Static	Port5	Port6	Port7	Port8
		<input checked="" type="checkbox"/>	<input checked="" type="checkbox"/>	<input checked="" type="checkbox"/>	<input checked="" type="checkbox"/>
Trunk2	Type: Static	Port25	Port26		
		<input checked="" type="checkbox"/>	<input checked="" type="checkbox"/>		
Update					
1. Selecting one port for a trunk will be treated as a void setting. 2. Don't connect both trunk channels to a single switch, this will cause an unlimited traffic loop once a broadcast packet is coming to any port of the switch.					

Trunk Configuration interface

Aggregation Information

Having set up the Trunk Configuration page in static mode, you will see the static trunk group information in here.

Aggregator information

Static Trunking Group	
Trunk Group No.	1
Port Member	5;6;7;8

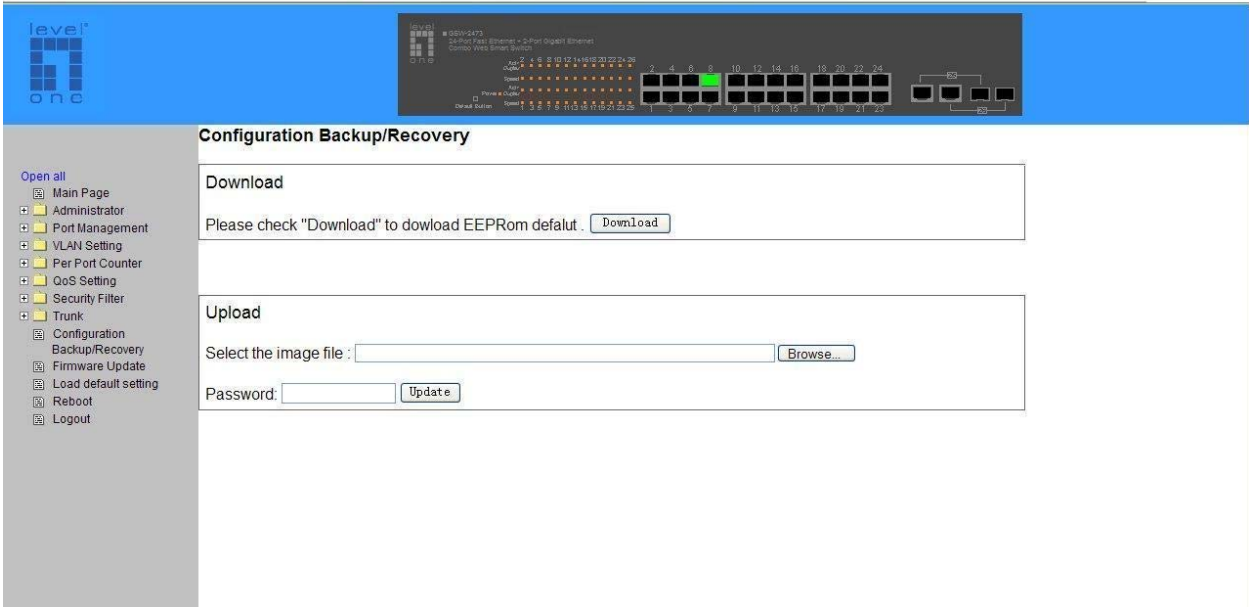
Static Trunking Group	
Trunk Group No.	2
Port Member	25;26

Refresh

Aggregation Information interface

Configuration Backup/Recovery

- **Backup:** This page allows the user to back up the system configuration by copying the text in the field below to a text file.
- **Recovery:** If the user wants to restore the previous configuration, just copies the text from the text file and pastes it to the system information field. Then the user has to fill in the password (login password) and click the Update button to start system configuration recovery process.



Configuration Backup/Recovery interface

Firmware Update

The firmware update function supports web and command prompt window interface for the user to update the firmware to the switch. Both the method require the user to type in the password (login password) and type again for password confirmation, then click Update to start firmware update process.

Firmware Update	
Notice:Please input the password to continue the Firmware Update process.	
Password	<input type="password" value="••••"/>
ReConfirm	<input type="password" value="••••"/>
<input type="button" value="Update"/>	

Firmware Update interface

Please note that the system will erase the flash at first. When the erase process is complete, the new firmware is to be updated.

Erase Flash In Progress (44/128)

If this webpage doesn't refresh smoothly, please connect to <http://192.168.16.1> to continue.

Erase Flash in progress interface

After the flash erasing process is done, you can decide to update the firmware via web or command prompt window. First, if you decide to update firmware via the web interface, just click the browser button to locate the firmware file. Having located the target firmware file, please click the Update button to start updating firmware.

Firmware Update by Web browser	
Select the image file:	
<input type="text" value="D:\firmware.bin"/>	<input type="button" value="Browser..."/>
Click "Update" to upload file:	<input type="button" value="Update"/>

Firmware Update by TFTP
<p>There are two method to do the Firmware Update:</p> <ol style="list-style-type: none"> 1. (By Web)Please browse to or type in the target image file in the upper input field, and then press update button to continue. 2. (By TFTP client)Use MS Windows' Command Prompt window to run tftp client program. Syntax: c:\tftp -i 192.168.16.1 put FILE_DIRECTORY\FILENAME.bin 3. If the update process somehow goes wrong(like power failure), please connect to http://192.168.16.1 to restart.(If possible, reset device first.) 4. It takes about 45 seconds to complete the firmware update. <p>You'd better carefully read the document regarding the update procedure, preventing the unexpected problem form occurring.</p>

Updating Firmware to the flash interface

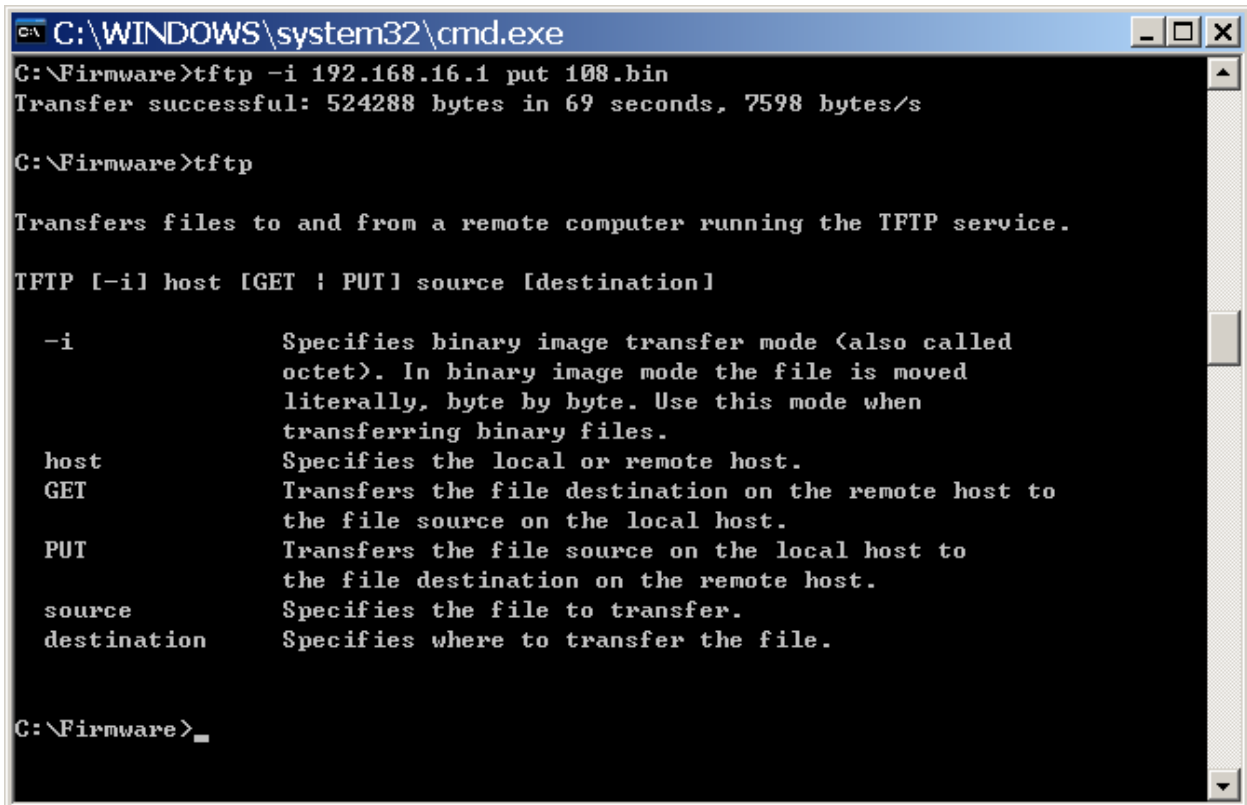
After a while, the message shows as below to indicate the user that the update process is complete.

Flash Update is completed. Please Wait for its Restart.

Update Complete message on web

As for TFTP firmware update, users can get into the command prompt window to proceed. The command prompt window can be opened by entering "cmd" (without quotes) into **Start-Run** or through **Start-All Programs-Accessories**. A black and white window (the colors can be changed) containing the command prompt will open. Type in "**tftp -i 192.168.16.1 put xxx.bin**" (xxx means the file

name of the firmware) and press enter to update.



```
C:\WINDOWS\system32\cmd.exe
C:\Firmware>tftp -i 192.168.16.1 put 108.bin
Transfer successful: 524288 bytes in 69 seconds, 7598 bytes/s

C:\Firmware>tftp

Transfers files to and from a remote computer running the TFTP service.

TFTP [-i] host [GET | PUT] source [destination]

-i           Specifies binary image transfer mode (also called
            octet). In binary image mode the file is moved
            literally, byte by byte. Use this mode when
            transferring binary files.

host        Specifies the local or remote host.

GET         Transfers the file destination on the remote host to
            the file source on the local host.

PUT         Transfers the file source on the local host to
            the file destination on the remote host.

source      Specifies the file to transfer.

destination Specifies where to transfer the file.

C:\Firmware>_
```

Command Prompt Window

Note The system will erase the flash at first and then update the new firmware during the update process. If the update process is not finished, the web page of Firmware Update will always be displayed when the switch powers on.

Reboot

Click Reboot to restart the switch.

Please click the reboot button to restar the switch device.

Reboot

Reboot interface

Logout

Having clicked on Logout item in the tree menu, the system will ask the user to make sure to log out by clicking the Accept button or clicking the Back button to return to the previous web page.



Logout Confirmation

Troubleshooting

This section is intended to help the user solve the most common problems on the 24-Port Fast Ethernet + 2-Port Gigabit Ethernet Combo Web Smart Switch.

Incorrect connections

The switch port can auto-detect straight or crossover cable when the user links switch with other Ethernet device. The RJ-45 connector should use correct UTP or STP cable. 10/100Mbps ports use 2 pairs twisted cable and Gigabit 1000T ports use 4 pairs twisted cable. If the RJ-45 connector is not correctly pinned on right position then the link will fail. For fiber connection, please notice that fiber cable mode should match the fiber module.

■ Faulty or loose cables

Look for loose or obviously faulty connections. If they appear to be OK, make sure the connections are snug. If that does not correct the problem, try a different cable.

■ Non-standard cables

Non-standard and miss-wired cables may cause numerous network collisions and other network problem, and can seriously impair network performance. A category 5-cable tester is a recommended tool for every 100Base-T network installation.

■ Improper Network Topologies

It is important to make sure that users have a valid network topology. Common topology faults include excessive cable length and too many repeaters (hubs) between end nodes. In addition, the user should make sure that the network topology contains no data path loops. Between any two ends nodes, there should be only one active cabling path at any time. Data path loops will cause broadcast storms that will severely impact the network performance.

Diagnosing LED Indicators

To assist in identifying problems, the switch can be easily monitored through panel indicators, which describe common problems the user may encounter and where the user can find possible solutions.

If the power indicator does turn on when the power cord is plugged in, the user may have a problem with power outlet, or power cord. However, if the switch powers off after running for a while check for loose power connections, power losses or surges at power outlet. If the problem still cannot be resolved, please contact the local dealer for assistance.

■ Cabling

RJ-45 ports: Use unshielded twisted-pair (UTP) or shielded twisted-pair (STP) cable for RJ-45 connections: 100 Ω Category 3, 4 or 5 cable for 10Mbps connections or 100 Ω Category 5 cable for 100Mbps connections. Also be sure that the length of any twisted-pair connection does not exceed 100 meters (328 feet). Gigabit port should use Cat-5 or cat-5e cable for 1000Mbps connections. The length does not exceed 100 meters.

Technical Specification

This section provides the specifications of 24-Port Fast Ethernet + 2-Port Gigabit Ethernet Combo Web Smart Switch.

Standard	<p>IEEE802.3 10BASE-T IEEE802.3u 100BASE-TX IEEE802.3ab 1000BASE-T IEEE802.3z Gigabit fiber IEEE802.3x Flow control and Back pressure IEEE802.3ad Port Trunk IEEE802.1p Class of Service</p>
LED Indicators	<p>System power (Green) 10/100TX Port: Activity/ Duplex (Green), Speed (Amber) 10/100/1000T/Mini-GBIC Combo: Activity/ Duplex (Green), Speed (Green)</p>
Connector	<p>10/100TX: 24 x RJ-45 with Auto MDI/MDI-X function 10/100/1000T/Mini-GBIC Combo: 2 x RJ-45 with Auto MDI/MDI-X function + 2 x 1000 SFP Sockets</p>
Switch architecture	Store and Forward
Back-plane	8.8Gbps with full wire speed
MAC address	4K Mac with Auto Learning

Flash ROM	512Kbytes
Power Supply	100 ~ 240V _{AC} , 50/60Hz
Power Consumption	15.4Watts (Maximum)
Operating Temp.	0°C ~ 45°C
Operating Humidity	10% ~ 90% (Non-condensing)
Storage Temp.	-40°C ~ 70°C
Dimensions	440mm x 120mm x 44mm (W x D x H)
EMI	FCC Class A CE
Safety	UL cUL CE/EN60950-1

Appendix

10 /100BASE-TX Pin outs

With 10/100BASE-TX cable, pins 1 and 2 are used for transmitting data, and pins 3 and 6 for receiving data.

■ RJ-45 Pin Assignments

Pin Number	Assignment
1	Tx+
2	Tx-
3	Rx+
6	Rx-

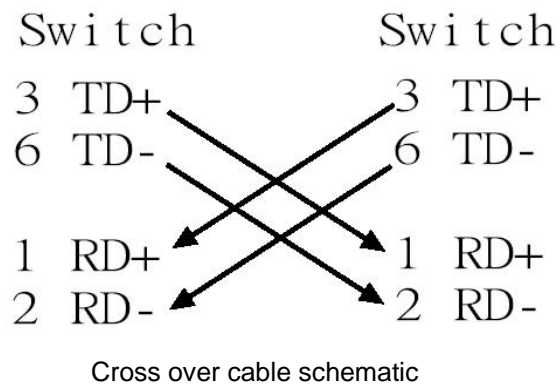
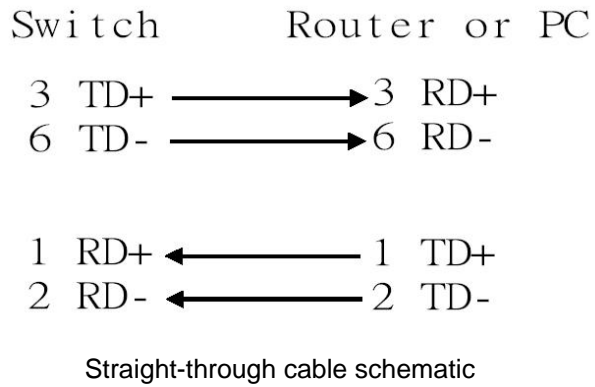
[NOTE] “+” and “-” signs represent the polarity of the wires that make up each wire pair.

The table below shows the 10 / 100BASE-TX MDI and MDI-X port pin outs.

Pin MDI-X	Signal Name	MDI Signal Name
1	Receive Data plus (RD+)	Transmit Data plus (TD+)
2	Receive Data minus (RD-)	Transmit Data minus (TD-)
3	Transmit Data plus (TD+)	Receive Data plus (RD+)
6	Transmit Data minus (TD-)	Receive Data minus (RD-)

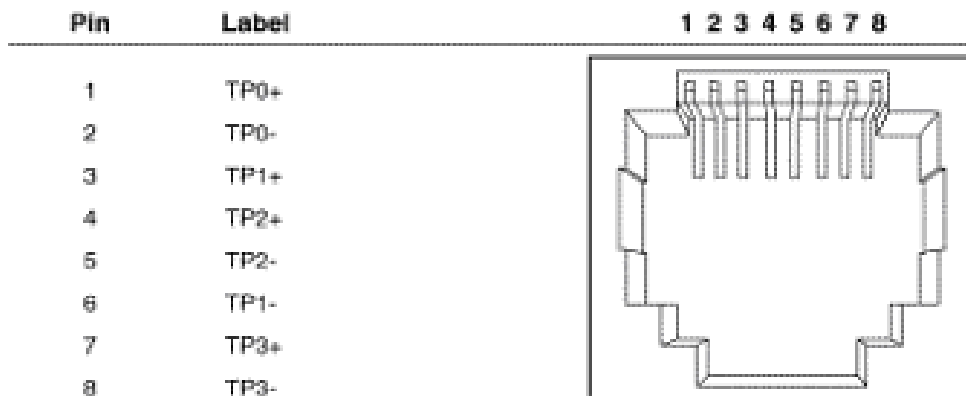
10/100Base-TX Cable Schematic

The following two figures show the 10/100Base-TX cable schematic.

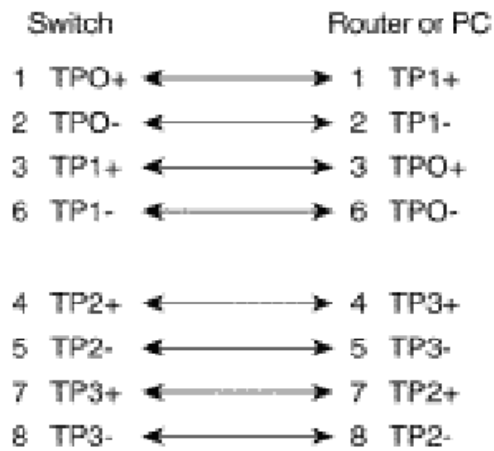


10/100/1000Base-TX Pin outs

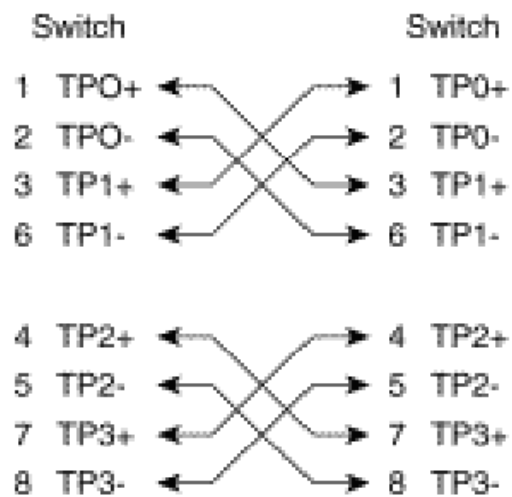
The following figure shows the 10/100/1000 Ethernet RJ-45 pin outs.



10/100/1000Base-TX Cable Schematic



Straight through cables schematic



Cross over cables schematic