



LevelOne User Manual

FSW-0513 4-Port High Power PoE Switch

V1.2

1. Introductions

The **FSW-0513**, a 4 ports Power over Ethernet (PoE) Fast Ethernet Switch, provides a 4-port broadband 10M/100Mbps Ethernet Switch with High Power Injection capability plus one uplink port for 10M/100Mbps Fast Ethernet. With 4 dip switches, each PoE port can be manually set for On-Off control. FSW-0513 support high power injector of upto 52W if one port PoE is ON, or 52W on each PoE port if two PoE ports are ON, or 40W if three PoE ports are ON, or full 30W on each PoE port if four PoE ports are ON.

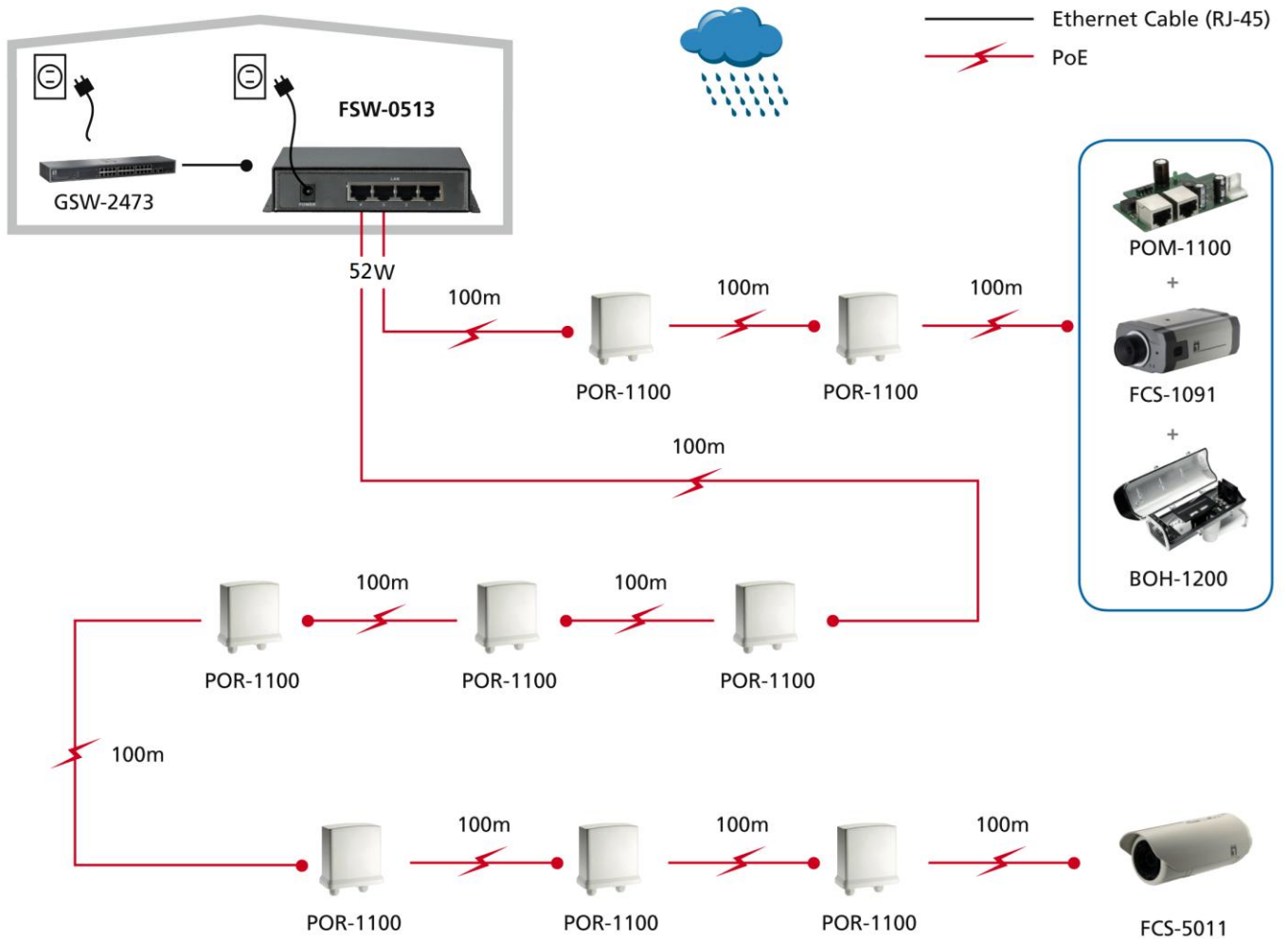
The PoE power supply is 120Watts in total for all the PoE-On ports. This product is compact in size, making it ideal for Desktop users with limited space. It also provides the option of installing in a 19" high power chassis **POC-6000** with rack-mount kits for up to 32-port PoE Switch.

Every port including the uplink port can automatically sense your type of cable, so there is no need for crossover cables whether you are connecting this switch to another switch or to a computer. In addition, each port can automatically sense if the connected network devices are running at 10Mbps or 100Mbps and Half/Full-Duplex mode, and adjust accordingly.

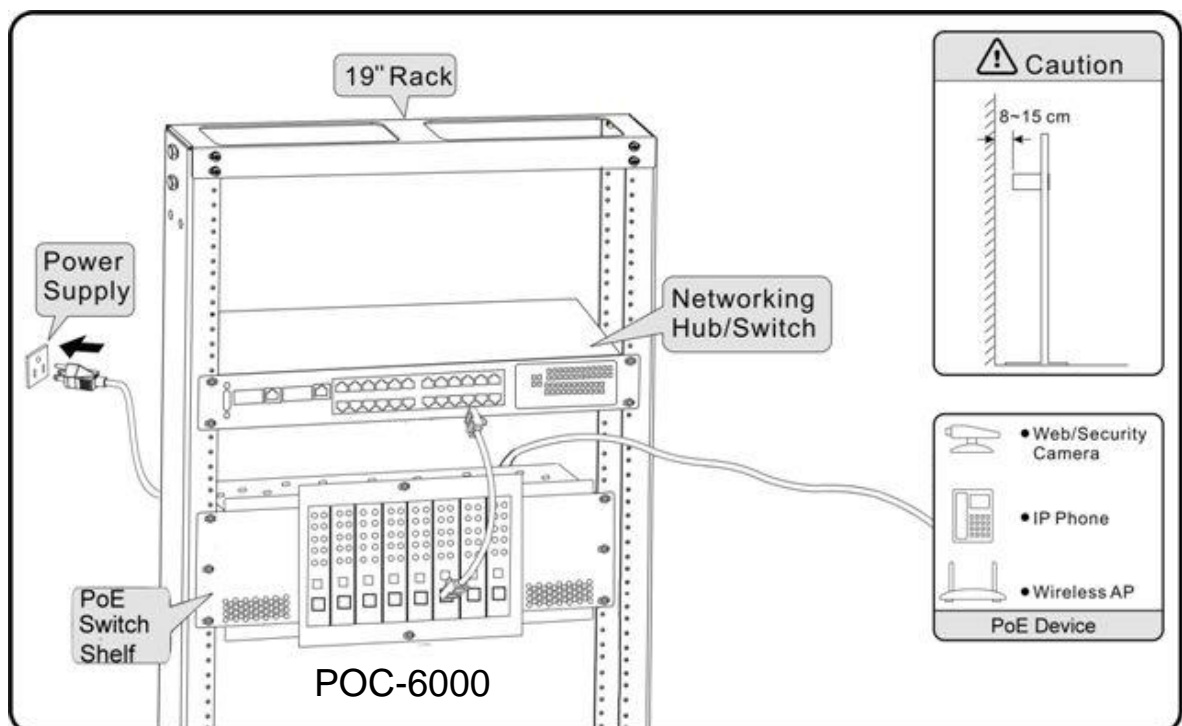
FSW-0513 receives and forwards traffic seamlessly with its non-blocking wire-speed. Every port simultaneously supports up to 200Mbps of bandwidth in full-duplex mode. This feature provides full wire speed to the connected devices and allows to run a smooth network. With store and forward features, it maximizes network performance while minimizing the propagation of bad network packets.

2. Application:

1) FSW-513 Connections with PoE PD Devices



2) FSW-0513 Connections with 19" high Power Chassis POC-6000 for up to 32 port PoE Switches



3. Packing Contents

- (1) FSW-0513 Switch
- (2) Power Cord
- (3) Power Adaptor (DC56V/2.15A)
- (4) One User Manual

Please check if the packing is damaged or any component is missing. If so, please contact your distributor.

4. Technical Specifications

Standards	IEEE 802.3 10BaseT IEEE 802.3u 100BaseTX IEEE 802.3x Flow Control
PoE Features	Number of Ports: 5 PoE Ports: 4 PoE On/Off Control: Dip Switches PoE Power Injection: 120Watts in total
Ethernet Switch Features	MAC Address: 2K Buffer Memory: 512K bits Store and Forward Auto MDIX Auto Negotiation Non-Blocking
Filtering/Forwarding Rates	100Mbps port - 148,800pps 10Mbps port - 14,880pps
Transmission Media	100BaseTx Cat. 5 UTP/STP 10BaseT Cat. 3, 4, 5 UTP/STP
Led Indicators	Per Port: Link/Act with 10/100M, PoE ON/OFF Per Unit: Power
Power Adaptor	Input: 100-240VAC, 50~60Hz Output: 56VDC 2.15A
Power Consumption	3 Watts (Max)
Dimensions	120 × 90 × 28 mm (L x W x H)
Weight	0.6 kg
Operating Temperature	0 to 55°C
Storage Temperature	-20 to 90°C
Humidity	0 to 90% RH (non-condensing)
Certifications	FCC , CE

5. LED Indicators

On the front panel of FSW-0513, there are 10 LED indicators as the following;

POWER: “**Green On**” indicates power is on and normal.

UPLINK: “**Green On**” indicates Ethernet Uplink port is in connection.
“**Fast Flashing**” indicates Ethernet Uplink data activities at 100M.
“**Slow Flashing**” indicates Ethernet Uplink data activities at 10M.

LINK: “**Green On**” indicates each Ethernet LAN port is in connection.
“**Fast Flashing**” indicates each Ethernet LAN data activities at 100M.
“**Slow Flashing**” indicates each Ethernet LAN data activities at 10M.

PoE: “**Green On**” indicates Power over Ethernet function is enabled.
“**OFF**” indicates the PoE is disabled, and it becomes a regular LAN port.

6. Dip Switch Settings vs Power over Ethernet

	1 port ON	2 ports ON	3 ports ON	4 ports ON
PoE Output Power	52Watts	52Watts	40watts	30Watts

Note that the dip switches can be switched ON and OFF anytime. However, it is suggested that the dip switches be set ready before the PoE port is connected for power management.