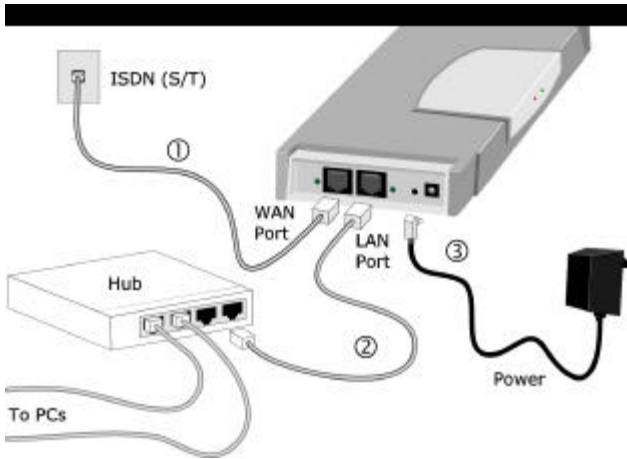


## 1 Hardware Installation



**Note:** The Level One ISDN Router incorporates a DHCP Server. If your LAN already has a DHCP Server, set DIP switch 2 ON to disable the ISDN Router's DHCP Server.

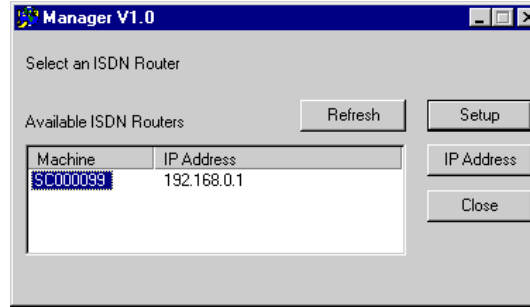
1. Use the supplied cable to connect the WAN port to the S/T connector on your ISDN Terminator.
2. Connect the LAN port to a 10/100BaseT hub.
3. Connect the supplied power supply.

## 2 Software Installation

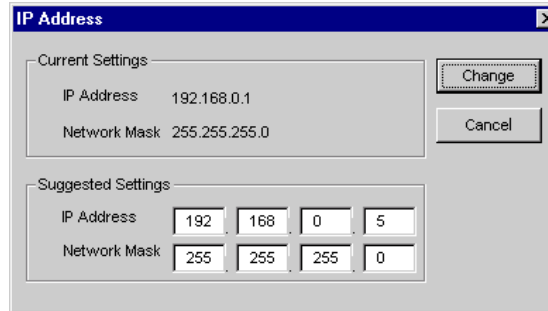
1. Insert the supplied CD-ROM. If the install program does not start automatically, run SETUP.EXE in the root directory.
2. Follow the prompts to complete the installation.
3. The setup program will now run.

## 3 Setup

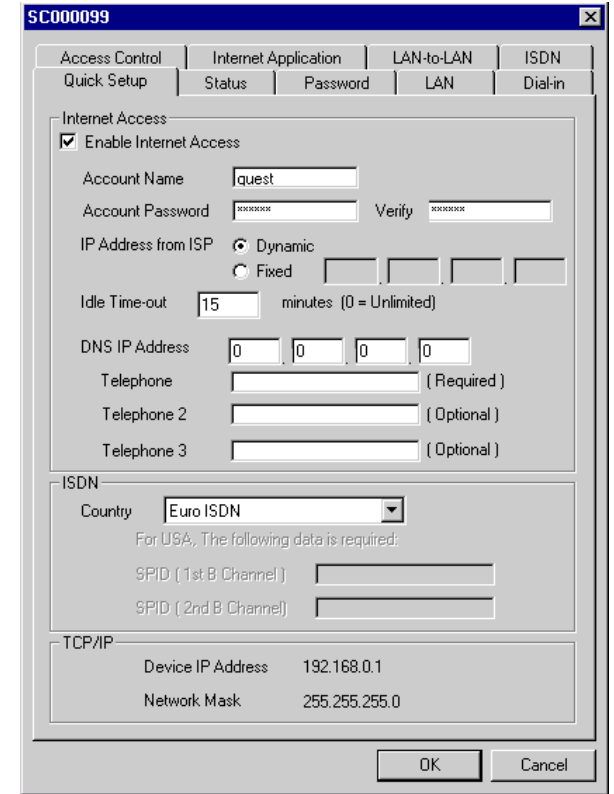
1. Select the Level One ISDN Router, and click "Setup".



2. If the current IP Address is OK, you will not see the following *IP Address* screen.



3. If you wish, change the suggested values. Then click "Change" to continue.
4. Enter the required data on the *Quick Setup* screen which appears next.



### Internet Access (from ISP)

**Account (User) Name** Account name provided by your ISP (Internet Service Provider).

**Account Password** Password for the above account.

**IP Address from ISP** *Dynamic* IP addresses are the most common. If *Fixed*, use the address provided by your ISP.

**Idle Time-out** If a connection is idle for longer than this time period, it is terminated.

**DNS IP Address** DNS IP address supplied or recommended by your ISP.

**Telephone** Telephone number to connect to ISP.

### ISDN Details (from Telephone Company)

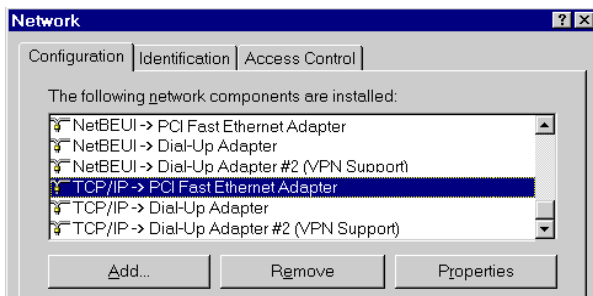
**Country** Select your country. For USA, select the entry to match the "Switch Type" used by your telephone company.

**SPID (USA only)** SPID (Service Profile Identifier) is provided by your phone company.

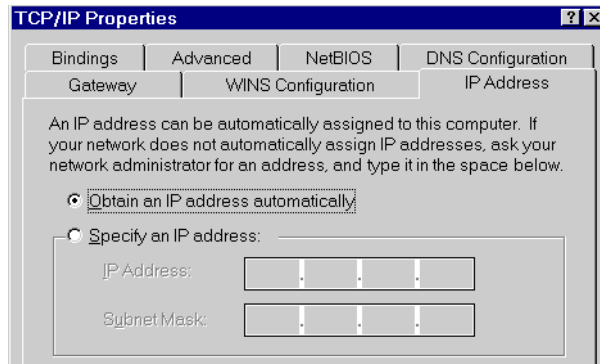
- For simple LANs, no other configuration is required. For complex situations, refer to the User Manual.

## 4 PC Setup (Required on every PC)

- Use *Start - Settings - Control Panel - Network* to locate the screen below.



- Select the "TCP/IP -> Network card" entry, as above, and click *Properties* to see the following screen.



- Use the appropriate settings for your situation:
  - "Obtain an IP address automatically", as shown above, if using the DHCP Server feature in the *Level One ISDN Router*, or an existing DHCP Server.
  - If using "Specify an IP Address", do NOT make any changes on the *IP Address* tab above.
    - On the *Gateway* tab, set the *Default Gateway Address* to the ISDN Router's *IP Address*.
    - On the *DNS Configuration* tab, enter the same value used for the *Quick Setup* screen.
- Restart your PC.

### Internet Settings

- Run *Start Menu-Settings-Control Panel-Internet Options*.
- On the *Connection* tab, click the *Setup* button.
- Step through the Wizard, and ensure that Internet access is set to "via local area network (LAN)" and the other options are NOT selected.
- Configuration is now complete. You can now use your Web Browser to access the Internet.



FRT2101TX

Level One ISDN Router

Quick Install Guide