



How to configure VLAN for GSW-1676 & GSW-2476 to share one Uplink port ?

Scenario

GSW-1676 & GSW-2476 does not support Port based VLAN. Today we want to configure GSW-1676 & GSW-2476 into two isolated VLANs with one shared uplink port to the gateway for internet access, we will use 802.1q tagged based VLAN to achieve this function.

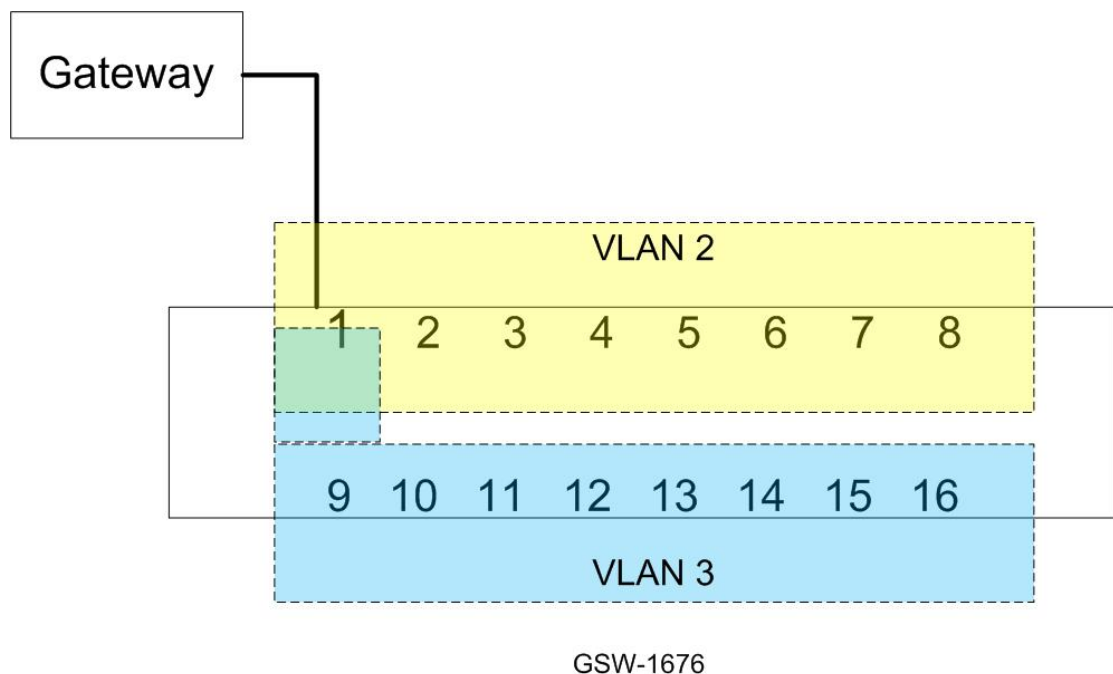
Topology

In this example, we will use GSW-1676.

Port 2 to 8 will be in VLAN 2

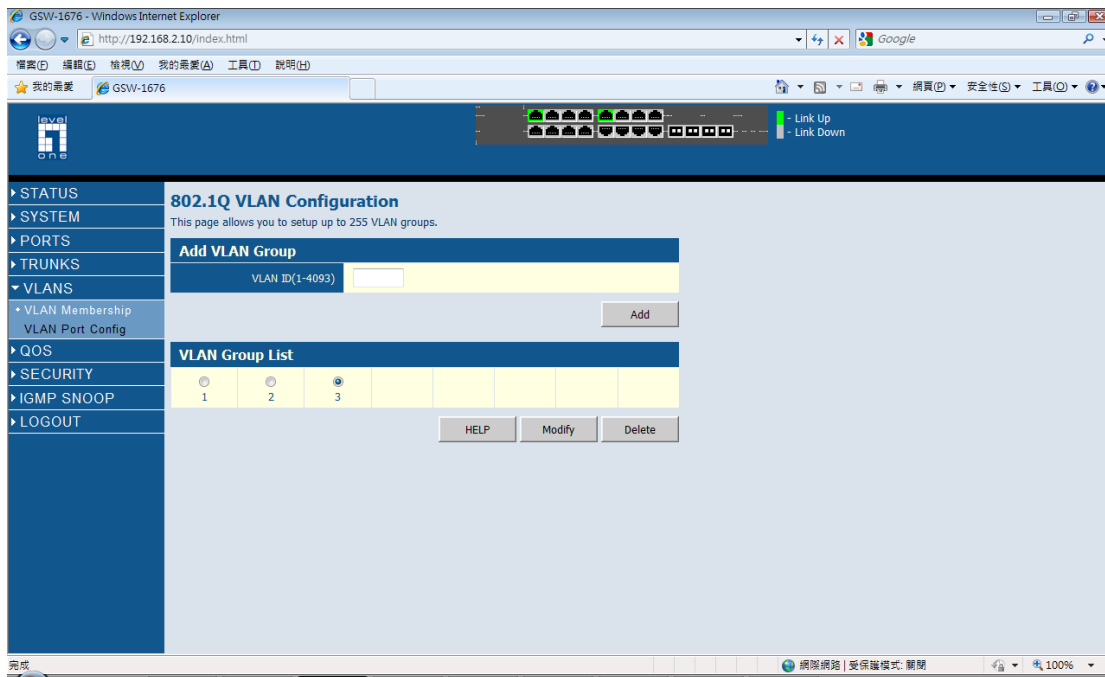
Port 9 to 16 will be in VLAN 3

Both VLAN share one common port 1 for Internet access.

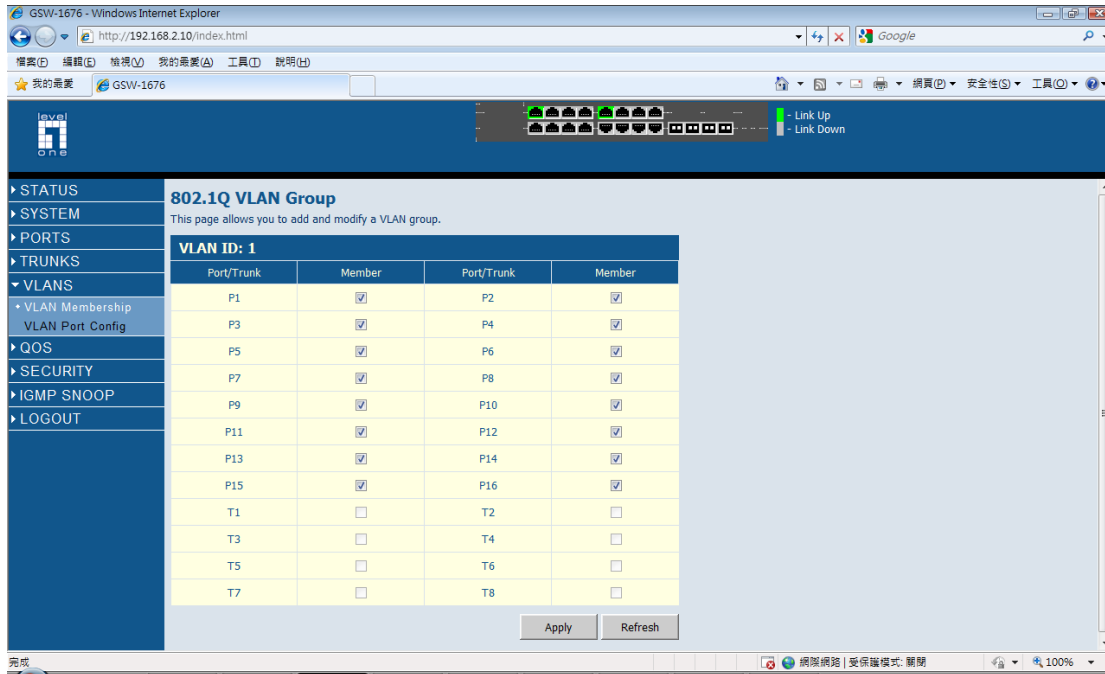


1. Please login to the web user interface of GSW-1676
2. Click on VLANs → VLAN membership

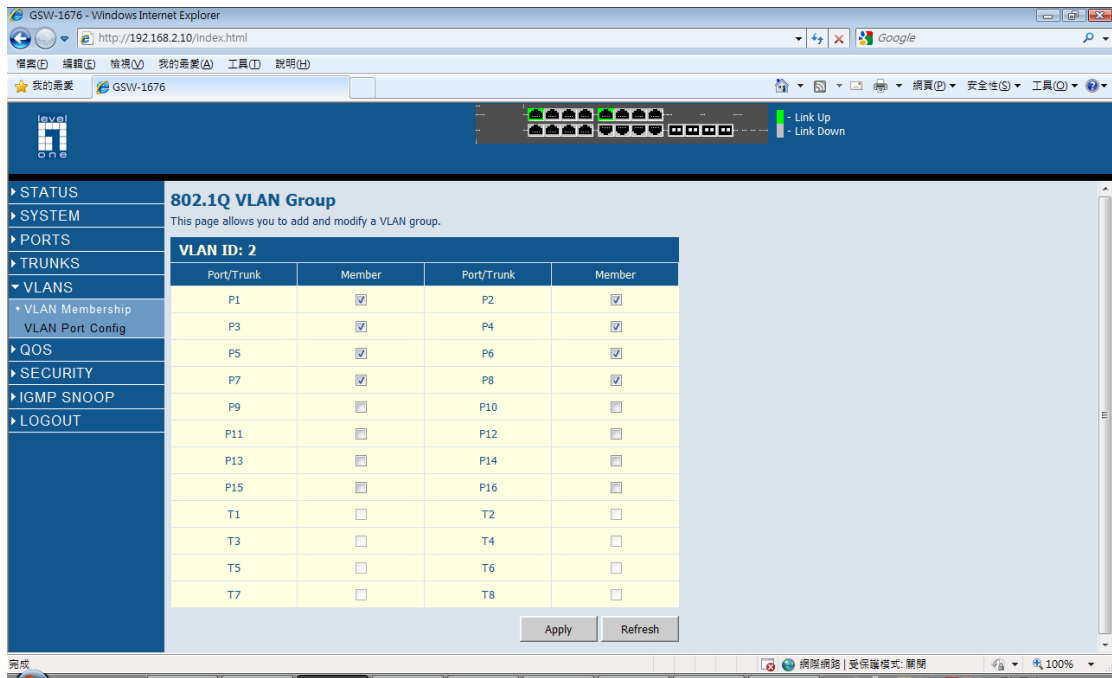
3. In total, we will need 3 VLANs.



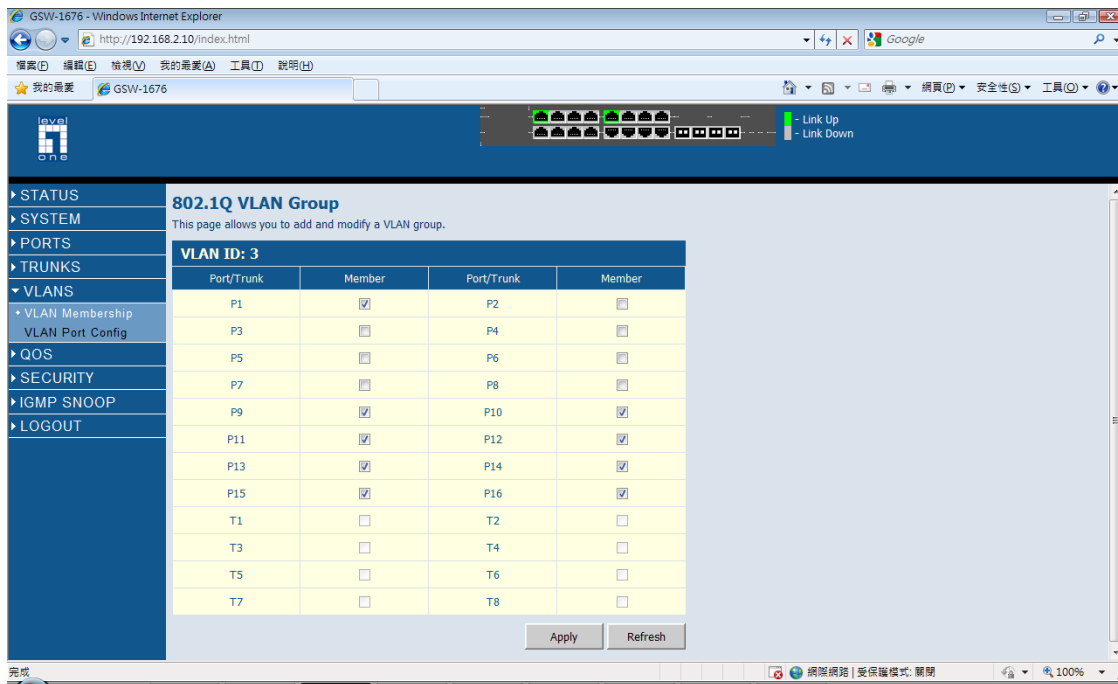
4. Please configure VLAN 1 as below, which includes all the ports.



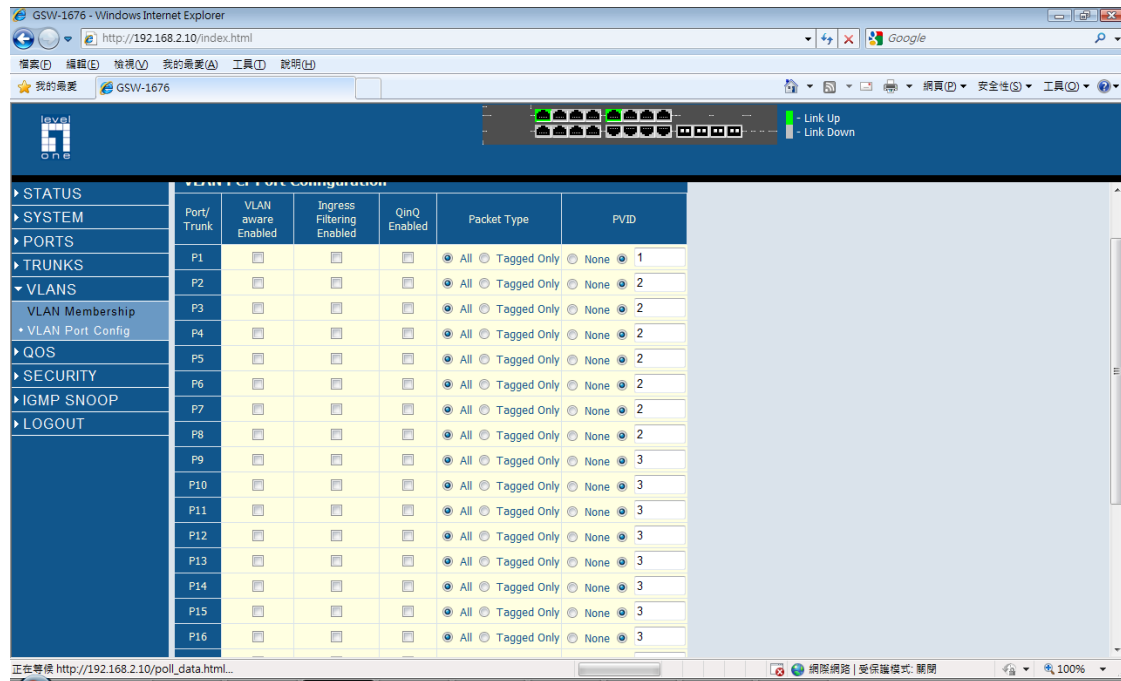
5. Please configure VLAN 2 as below, which include port 1 and port 2 to port 8.



- Please configure VLAN 3 as below, which include port 1 and port 9 to port 16.



- Please Click on VLAN Port Config page.
- Please follow the configuration as below.



- Now you may test the isolation between VLAN 2 and VLAN 3. And also the access to internet via the gateway connected on port 1.