

4dBi Omni-Directional Indoor Antenna Kit

LevelOne's OAN-1040 4dBi Omni-directional Indoor Antenna is a desktop antenna that provides further distance connection for 802.11b or 802.11g wireless network by improved signal strength and quality. With the unique design and mounting kits, the antenna can be easily placed in the limited desk space, mounted on the wall or fixed on the ceiling in order to achieve the best wireless coverage.

This antenna kit comes with antenna and the built-in 1m ULA-316 extension cable and has been tested for interoperating with LevelOne's wireless product equipped with reverse SMA Male connector and detachable antennas.

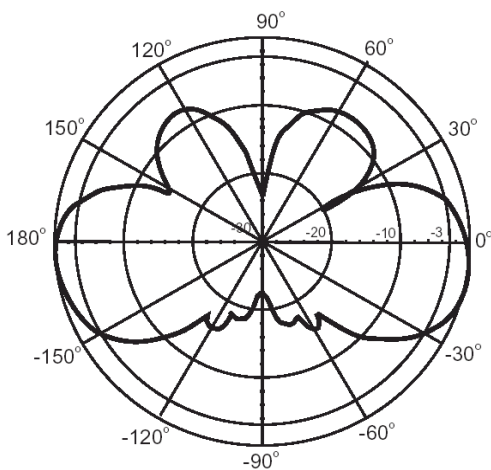


OAN-1040

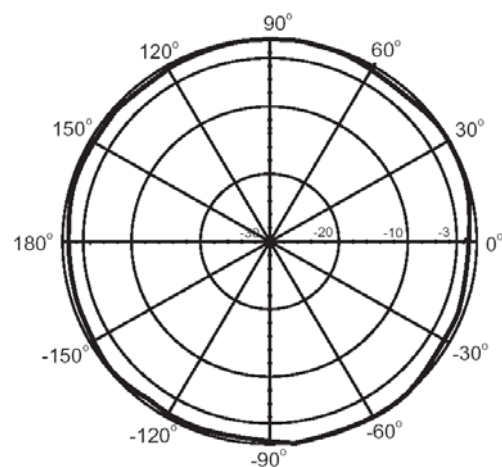
Key Features

- For IEEE 802.11b/g applications in 2.4GHz Frequency Range
- Easy to install
- Unique design to save space
- Omni-directional operation
- With built-in 1m ULA-316 cable for wireless device with SMA connector

Radiation Patterns



V-Plane Co-polarization Pattern

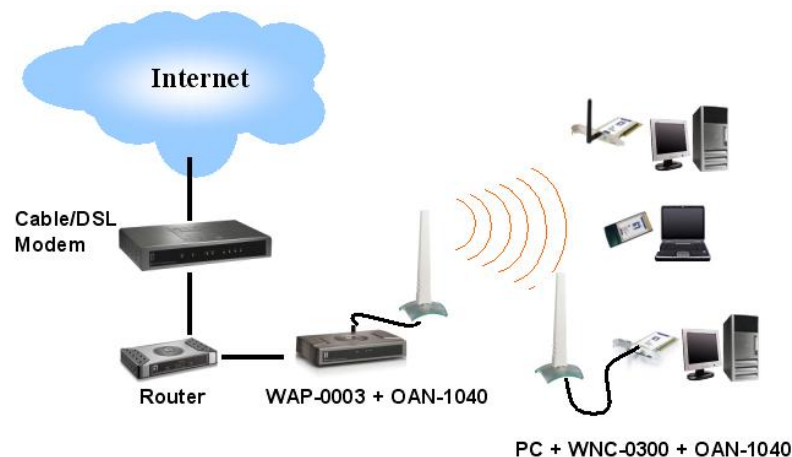


H-Plane Co-polarization Pattern

Technical Specification

Electrical Specification	
Frequency Band	2.4GHz – 2.5GMHz
Gain	4dBi
VSWR	2.0:1 Max
Polarization	Linear, Vertical
HPBW / V	40°
HPBW / H	3600°
Environment	Indoor
Impedance	50 Ohms
Connector	RP-MMCX ; RP-SMA
Environmental & Mechanical Characteristics	
Temperature	-10°C - +55°C
Humidity	95% @ 25°C
Appr. Range at 1Mbps	170m
Appr. Range at 54Mbps	55m
Weight	92g
Dimension	145mm x 22mm x 12mm

Product Diagram



Ordering Information

- OAN-1040 4dBi Omni-Directional Indoor Antenna Kit
 - 4dBi Omni-Directional Indoor Antenna
 - 1m, ULA-316 cable