

## 24-Port Fast Ethernet TP + 2-Port Gigabit Ethernet TP Switch

### Product Overview

The LevelOne GSW-2650 Gigabit Network Switch features 24 Fast Ethernet Ports and 2 Gigabit Ethernet ports for diverse and flexible network deployment on networks where copper connectivity is utilized.

### High-Speed Connectivity

The GSW-2650 offers an 8.8Gbps backplane to improve network performance and throughput for multi-media, video streaming and real-time broadcast applications. As with all LevelOne network switched, the GSW-2650 is geared for network convergence applications.

The GSW-2650 provides high-speed data transmission through effective buffering to each port that is provided through dynamic memory allocation with store-and-forward switching product architecture. The switch also controls the data flow between transmit and receive nodes to guard against packet loss.

### Auto Select Connectivity

The GSW-2650 Gigabit switch supports Auto-MDIX/MDI-X and Nway auto-negotiation that detects network speeds and duplex modes automatically. The LED display assists in monitoring and troubleshooting of network problems.

### Plug-and-Play Connectivity

The "Plug-and-Play" ability of the GSW-2456 makes it a suitable solution for quick installation and set-up of a high-speed network that is easy to maintain and manage. The switch has a compact design and easily be mounted with the included 19" rack mountable housing.



**GSW-2650**

## Key Features

- 24 Fast Ethernet RJ-45 Nway ports and 2 Gigabit ports for higher communication
- Supports N-Way protocol, duplex mode (Half/Full) auto-detection and MDI/MDI-X auto crossover
- Fan Less design
- Wire-speed packet filtering and forwarding rate
- Plug-and-Play operation with no additional configuration or switch set-up
- Features an "At-a-glance" LED display for port and system status monitoring
- 19-inch rack-mountable size

## Technical Specification

### Standards Compliant

- IEEE802.3 10BASE-T
- IEEE802.3u 100BASE-TX
- IEEE802.3ab 1000BASE-T
- IEEE802.3x Flow control and Back pressure

### Ports

- 10/100TX: 24 x RJ-45 with Auto MDI/MDI-X function
- 1000T: 2 x RJ-45 with Auto MDI/MDI-X function

### Switch architecture

- Store and forward architecture

### Back-plane

- 8.8Gbps with full wire speed

### MAC address

- 4K MAC with Auto learning

### Power Supply

- 100~240VAC 50/60Hz

### Power Consumption

- 20 watts (Maximum)

### Operation Temp.

- 0°C to 45°C (32°F to 113°F)

### Operation Humidity

- 10% to 90% (Non-condensing)

### Storage Temp.

- -40°C to 70°C

### Dimension

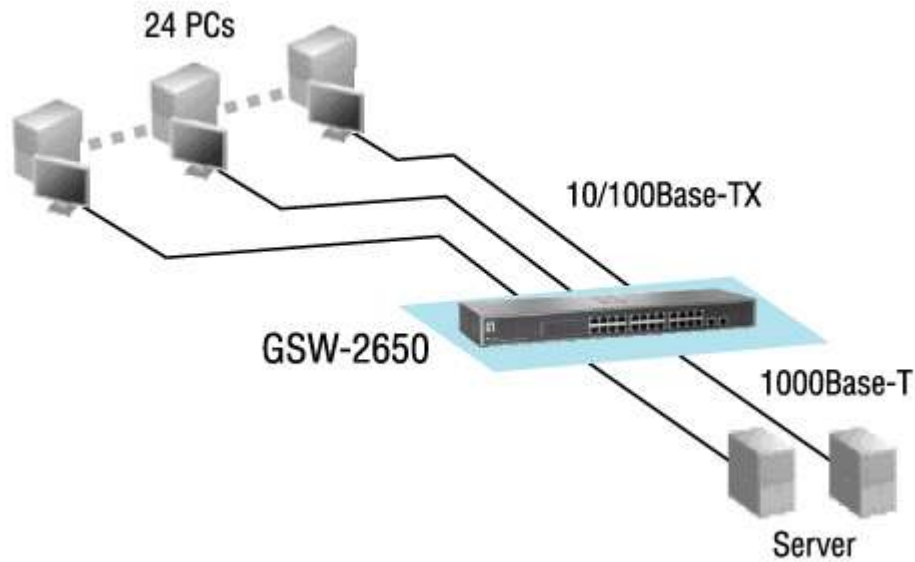
- 440mm (W) x 120mm (D) x 44mm (H)

### EMI and Safety

- FCC Class A, CE

## Product Diagram

---



## Order Information

---

**GSW-2650 24-Port Fast Ethernet TP + 2-Port Gigabit Combo Switch**

### Package Content

1. GSW-2650
2. Power Cord
3. Rack- Mounted Kit
4. 4 Rubber Pads
5. User Manual

For more information, please contact your LevelOne representative, or visit [www.level1.com](http://www.level1.com)  
All technical specifications are subject to change without notice.

All mentioned brand names are registered trademarks and property of their owners

[www.level1.com](http://www.level1.com)