



## 24-Port 10/100/1000 Mbps w/ 4-Port SFP



GWS-2456

H/W Version: 2

### Product Overview

GWS-2456 is a Gigabit switch that is ideal for networks that demand a reliable and stable high-speed bandwidth environment to connect workgroups with file servers. It has 24 10/100/1000 Mbps RJ-45 Nway ports of which 4 ports are shared SFP shared ports. These SFP ports are Mini-GBIC ports that support long distance network connectivity via fiber optic cabling.

### High-Speed Connectivity

With a 48 Gbps backplane, GWS-2456 provides high-speed data transmission through effective buffering to each port. The store-and-forward switching product architecture also controls the data flow between communication nodes to guard against packet loss.

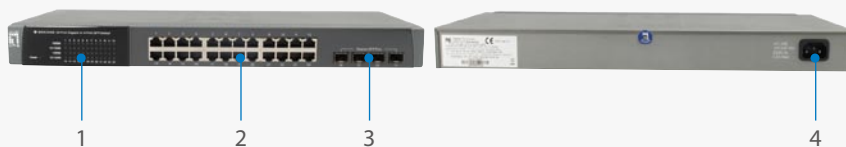
### Save Power With LevelOne Green Technology

Active Link Detection: A LevelOne Green device can tell if there is activity on each individual LAN port. If a

24-port switch only has 14 active devices connected to it, power is saved because no traffic is routed to the 10 inactive ports.

Cable Length Detection: The switch is able to detect the distance of the connected device and adjusts its power accordingly. For example, if you have a LevelOne Green switch a computer connected to a 10-meter cable will consume less power than a computer connected to a 100-meter cable.

Sleep Mode: The device will enter sleep/standby mode when the connected devices are powered down and no active links are detected. This helps save energy consumption during extended periods of network inactivity, such as nights, weekends and holidays.



1. LEDs
2. 10/100/1000 Mbps
3. SFP Slot
4. Internal power socket

### Key Features

- IEEE802.3, IEEE 802.3u, IEEE 802.3ab and IEEE 802.3z compliant
- 24 10/100/1000 Mbps RJ-45 Nway ports
- 4 shared Mini-GBIC ports for optional fiber optical communication
- Wire-speed packet filtering and forwarding rate
- Supports 9K bytes Jumbo frame
- Supports 8K bytes MAC address entries
- 500K bytes buffer memory
- RoHS compliant with FCC, VCCI and CE Class A certification
- Save up to 52% power compare to non Green Switch with similiar functions

### Related Products



**GWS-1656**  
16-Port 10/100/1000Mbps  
w/4-Port SFP



**GWS-2420**  
24-Port 10/100/1000Mbps

## Technical Specifications

### Standard Compliance

#### Compliant

IEEE802.3, IEEE802.3u, IEEE802.3z/ab and IEEE802.3x standards

### Network Interface

#### Ports

24 10/100/1000 Mbps RJ-45 switching ports

4 Mini-GBIC ports

#### NWay Protocol Support

Network speed: 1 /100/1000 Mbps

- 10 Mbps: Full/Half duplex
- 100 Mbps: Full/Half duplex
- 1000 Mbps: Full duplex

#### Backplane Bandwidth

48 Gbps

#### Mac Address

8K entries

#### Ram Buffer

500Kbytes

#### Jumbo Frame Rate

9K byte

### Physical Specifications

#### LED Indicators

- 1 x Power (green)
- 24 x 10/100M LINK/ACT (green)
- 24 x 1000M Link/ACT (green)

#### Operating Temperature

0°C ~ 40°C (32°F ~ 104°F)

#### Dimensions

441 x 130 x 44 mm

#### Power Supply

Internal Power Supply

100~240VAC / 50~60Hz universal input

#### Certification

FCC Class A, CE, VCCI Class A

### LevelOne Green

#### Power Consumption with 24 x 100 meters Cable Connected

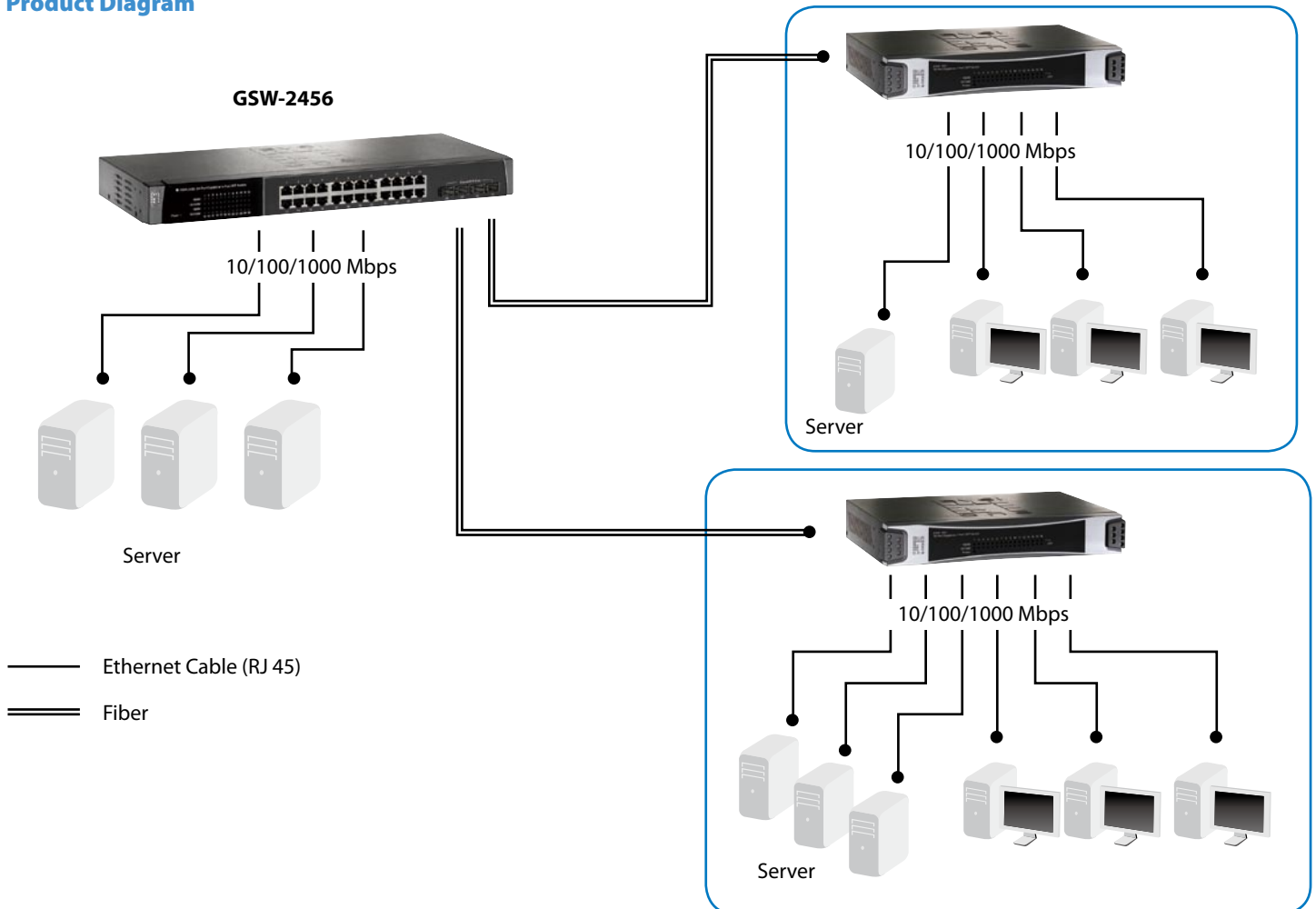
21.2W

#### GSW-2456 Base Power Consumption

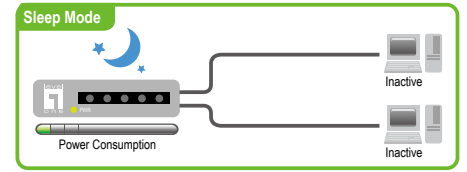
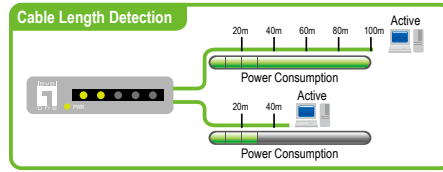
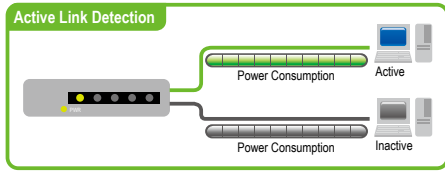
(No Cables are Connected)

2.65W

## Product Diagram



## Power Saving by



## Order Information

**GSW-2456:** 24-Port 10/100/1000 Mbps w/ 4-Port SFP

## Package Contents

GSW-2456  
Power Cord  
Rack-Mount Brackets  
User Manual

## Optional Accessories



**GVT-0300**  
Mini GBIC SFP transceiver, SX  
Multi-Mode (550m)



**GVT-0301**  
Mini GBIC SFP transceiver, LX  
Single-Mode (10km)



**GVT-0302**  
Mini GBIC SFP transceiver,  
ZX Single-Mode (80km)