

16-Port Gigabit Switch

Product Overview

The LevelOne GSW-1603 is a standard Plug-and-Play Gigabit Network Switch featuring 16 Gigabit ports. Each port can auto-negotiate the best possible performance running either in full or half duplex mode. Auto-MDIX is also supported on all ports which allows up-linking to another switch either through cross-over or straight cable selection.

Gigabit Speed Network Interface

The GSW-1603 offers users with a fast and reliable network that operates on a non-blocking, Store-and-Forward switching architecture and supports IEEE 802.3x and backpressure flow control for auto-sensing half or full duplex connections.

Improved Network Environment

With a Plug-and-Play interface, the GSW-1603 does not require software configuration. Users can immediately enjoy Gigabit network connectivity by directly connecting the switch to the network.

Large 32 Gigabyte Switching Power

The GSW-1603 provides a combined 32Gbps switching bandwidth for improved network performance and throughput for high-speed file sharing, VoIP application, multi-media, video streaming and real-time broadcast applications. It also provides adequate performance power for future network expansion.



GSW-1603

Key Features

- 16-Port Gigabit Switch for high-performance Office networks
- Complies with IEEE 802.3ab, 802.3u and 802.3 standards
- Supports Auto-negotiation and Auto-MDI/MDI-X on all ports
- Supports full-duplex IEEE 802.3x flow control
- Supports half-duplex back pressure flow control
- Supports NWay protocol and auto-detect duplex mode
- Store-and-forward switching architecture
- Wire-speed packet filtering and forwarding rate
- Supports 9K Jumbo frame rate
- Provides 8K MAC address entries
- Large 32G switching bandwidth
- Plug-and-Play installation to existing network
- External power supply
- "At a glance" comprehensive LED display for system status and monitoring
- 10-inch rack-mountable with included mounts
- RoHS compliant

Technical Specification

Network Interface

Standard Compliance

IEEE 802.3 10Base-T Ethernet
 IEEE 802.3u 100Base-TX Ethernet
 IEEE 802.3ab 1000Base-T Ethernet
 IEEE 802.3x Flow control and Back Pressure

Network Connectivity

16x Gigabit Ethernet RJ-45 Ports
 - Support auto MDI/MDI-X
 - Support auto-negotiation

NWay Protocol Support

10/100Mbps: Full/Half Duplex
 1000Mbps: Full Duplex

Switch Architecture

Back-plane: 32Gbps

Packet Buffer

500K bytes

Mac Address

8K MAC address table

Frame Rate

9K bytes Jumbo frame

Physical Specifications

Power Supply

100 ~ 240V AC/50~60Hz External Power

Operating Temperature and Humidity

0°C to 40°C
 10% to 90% (Non-condensing)

LED

Power
 Link/Activity

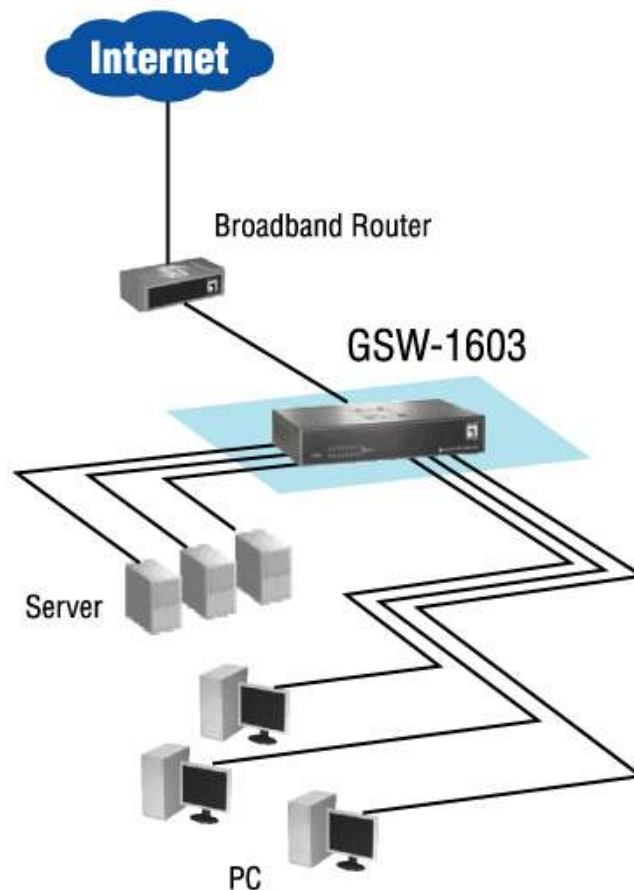
Dimensions

216mm (W) x 133mm (D) x 42mm (H)

Certification

FCC Class A, CE, VCCI Class A

Product Diagram



Order Information

GSW-1603: 16-Port Gigabit Switch

Package Contents

- GSW-1603 Gigabit Switch
- DC Power Adaptor (12V ,3A)
- 10" Rack-mount brackets
- User Manual