



FVS-3800 / GVS-3800



FVS-3200 / GVS-3200



FVS-3120 / GVS-3110



Ethernet Media Converter – Web Smart Series

H/W Version: 1

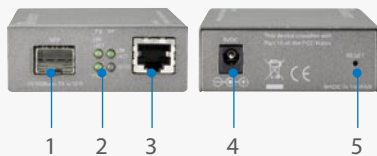
The LevelOne Media Converter Web Smart Series is designed to make conversion between 10/100/1000Base-TX and 100/1000Base-FX Ethernet.

With web-based management, the network administrator can logon to the converter remotely to monitor, configure and control the status of each unit.

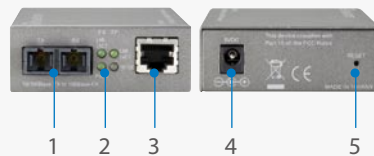
The overall network reliability is enhanced, and the network efficiency is also improved to accommodate and deliver high bandwidth applications.

Enhanced features like VLAN, Q-in-Q and also remote control TS1000 and IEEE802.3ah supported.

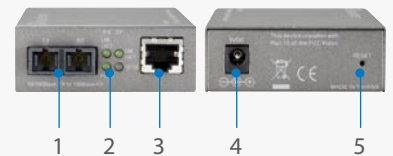
FVS-3800 / GVS-3800



FVS-3200 / GVS-3200



FVS-3120 / GVS-3110



1. Fiber port/connector
2. LED indicator
3. RJ45 port
4. DC power jack
5. Reset button

Key Features

- HTTP Management with remote firmware upgrade supported
- ICMP and ARP protocols supported
- DHCP Client for easy IP address setup
- LLCF (Link Loss Carry Forward) and LLR (Link Loss Return) supported*.
- 802.1Q VLAN and Double VLAN (Q-in-Q) supported
- Support 802.3x Flow Control to prevent lost data by controlling the device flow loading

Works Well With



FGL-2870
24 FE + 4 GE Combo SFP
L2 SNMP Switch



GEL-2870
24 GE + 4 GE Combo SFP
L2 SNMP Switch

*GVS-3800/3200/3110 support LLCF and LLR, FVS-3800/3200/3120 support only LLR.



Technical Specifications

Standards

IEEE802.3 10Base-T
 IEEE802.3u 100Base-TX
 IEEE802.3x full-duplex flow control
 IEEE802.3z/ab 1000Base-T*
 100Base-FX/LX
 1000Base-SX/LX*

Cable

UTP: Cat.5 Cable and up to 100m
 Fiber:
 100Mbps MM: 50/125, 62.5/125, or 100/140µm multi-mode
 100Mbps SM: G8, 3/125, 8.7/125, 9/125 or 10/125µm single-mode
 1000SX: 50/125, 62.5/125, or 100/140µm multi-mode
 1000LX: G8, 3/125, 8.7/125, 9/125 or 10/125µm single-mode

Software Features

Web UI Manageability with Port Configuration
 IEEE802.1Q VLAN, Double VLAN (Q-in-Q)
 Carrier Remote Control IEEE802.3ah and TS-1000 supported
 LLCF/LLR supported

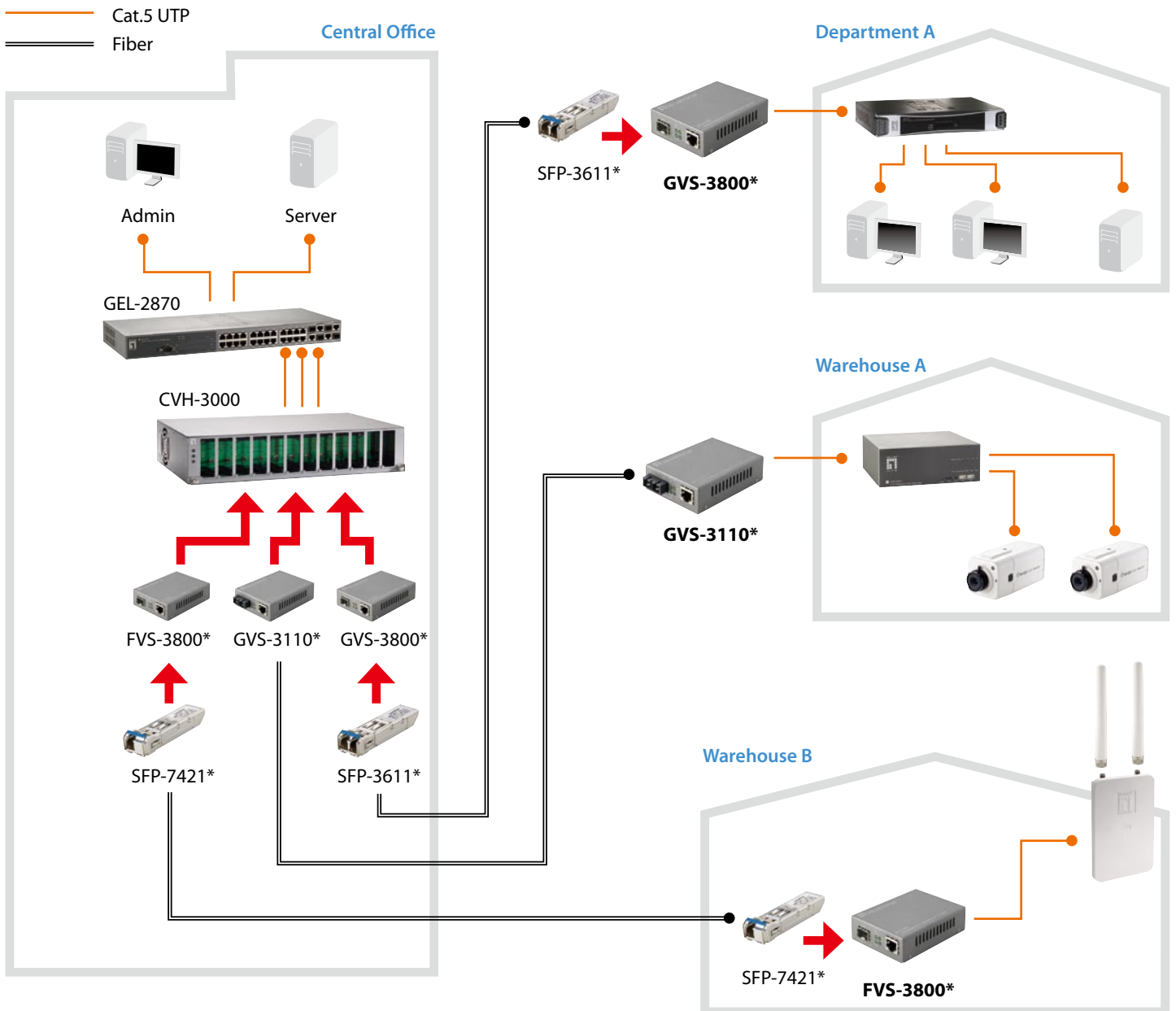
Power Specification

Power Requirement: 1A@+5VDC above
 Power Consumption: 1.5Watts

Hardware

Ambient Temperature: 0~50°C
 Humidity: 5%~90%
 Dimensions (H*W*D): 26.2 x 70.3 x 94mm
 Certifications: Comply with FCC Part 15 Class A & CE Mark
 Approval
 *GVS-3800/3200/3110

Dimension Diagram



*In above example diagram, converter modules at local and remote ends should be paired for proper connectivity, and the distance mainly depends on cable and transceiver selection accordingly.

Order Information

FVS-3800: 10/100BASE-TX to 100BASE-X SFP Converter

FVS-3200: 10/100BASE-TX to 100BASE-FX MMF SC Converter

FVS-3120: 10/100BASE-TX to 100BASE-LX SMF SC Converter

GVS-3800: 10/100/1000BASE-T to 1000BASE-X SFP Converter

GVS-3200: 10/100/1000BASE-T to 1000BASE-SX MMF SC Converter

GVS-3110: 10/100/1000BASE-T to 1000BASE-LX10 SMF SC Converter

Package Contents

Smart Media Converter

Power Adapter

CD Manual

Optional Accessories



SFP-1101
155Mbs transceiver 1310nm
FP/LED-LD, (MMF 2km),
Duplex LC



SFP-1311
155Mbs transceiver 1310nm
FP-LD,
(SMF 20km), Duplex LC



SFP-1411
155Mbs transceiver 1310nm
FP-LD,
(SMF 40km), Duplex LC



SFP-7321
155Mbs BIDI, (SM
20km1310/1550),
Simplex LC



SFP-7331
155Mbs BIDI, (SM
20km1550/1310),
Simplex LC



SFP-7421
155Mbs BIDI, (SM
40km1310/1550),
Simplex LC



SFP-7431
155Mbs BIDI, (SM
40km1550/1310),
Simplex LC



SFP-3001
1.25 G transceiver 850nm
VCSEL, SX (MMF 500m),
Duplex LC



SFP-3211
1.25 G transceiver , 1310 nm
FP-LD, LX (SMF 10m), Duplex
LC



SFP-3411
1.25Gbps SFP Transceiver,
SM, EZX, Duplex LC
connector (120km)



SFP-9421
1.25G BIDI, (SM 40km
1310/1550), Simplex LC



SFP-9431
1.25G BIDI, (SM 40km
1550/1310), Simplex LC



SFP-3611
1.25Gbps SFP Transceiver,
Duplex LC connector (80km)



SFP-3711
1.25 G transceiver 1550nm
DFB-LD, EZX (SMF 120km),
Duplex LC



SFP-3841
1.25 G transceiver TX Copper
(100m), RJ-45 Type



CVH-3000
12-Slot Media Converter
Chassis

All mentioned brand names are registered trademarks and property of their owners. Technical specifications are subject to change without notice.

© Copyright Digital Data Communications GmbH. All Rights Reserved.