



USB Joystick for Speed Dome Camera



CAS-4200

H/W Version: 1

The CAS-4200 IP Desktop is a USB controller specifically designed to provide the network video monitoring industry with responsive and accurate pan/tilt/zoom camera positioning controls. Featuring a three-axis Hall Effect joystick, twelve programmable

switches and USB interface, the IP Desktop integrates seamlessly with any video surveillance software platform recognizing joystick inputs via Microsoft's DirectX. The CAS-4200 is a perfect accessory specially designed for LevelOne FCS-4020 and FCS-4041.



USB Cable

Key Features

- Three axis, two button Hall effect joystick
- Desktop housing features 10 programmable buttons
- USB interface
- RoHS compliant

Works Well With



FCS-4020
Day/Night P/T/Z Speed Dome Pro
Outdoor Network Camera (35x)



FCS-4041
2-Megapixel P/T/Z PoE Plus Speed
Dome Outdoor Network Camera



Technical Specifications

Physical Specifications

- Joystick Travel: 36 (18 from center)
- Centering: Single spring, omnidirectional
- Housing: High impact glass-filled nylon
- Breakout force: 0.109 Nm
- Operational force: 0.151 Nm
- Maximum force: 0.169 Nm
- Operating temperature: -25 C to 70 C
- Life cycles: 3,000,000

Electrical Specifications

- Supply voltage (USB bus): Vdd = 5V+/-0.5V
- Supply current (USB bus): 32mA

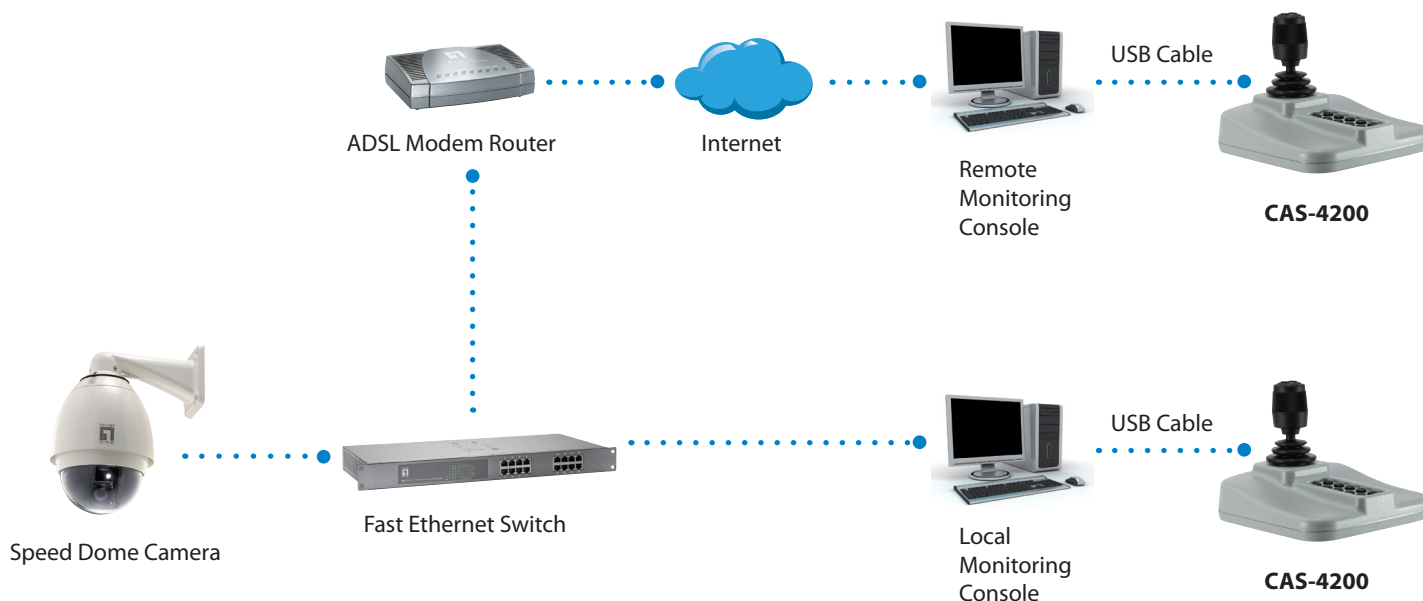
Technical Specifications

- Three-axis, two button Hall Effect joystick
- Desktop housing features 10 programmable buttons
- USB interface

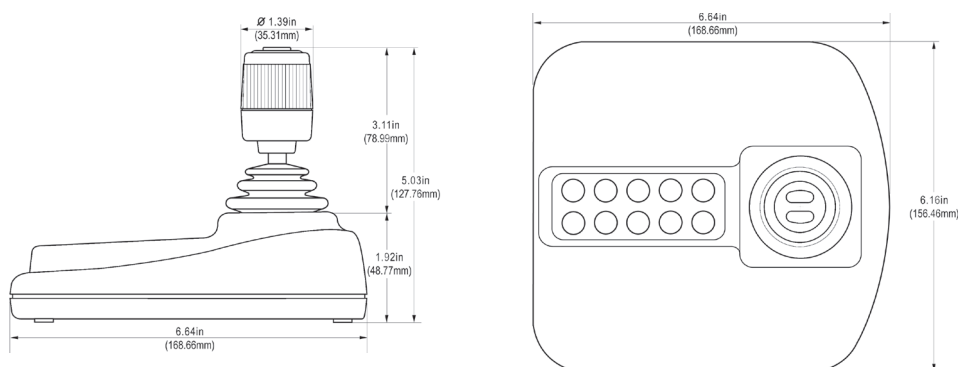
Physical Dimensions

- W: 6.15" (15.6cm)
- L: 6.65" (16.9cm)
- H: 4.97" (12.6cm)

Product Diagram



Installation Diagram



Order Information

CAS-4200: USB Joystick for Speed Dome Camera

Package Content

CAS-4200, QIG