



# PoE Upgradable Outdoor Housing



BOH-1100

H/W Version: 2

### Outdoor Housing for Box Cameras

The BOH-1100 is an outdoor housing to be used with the LevelOne IP Box Cameras and other box cameras.

### IP68 Rated Housing

The BOH-1100 is a box-type outdoor housing and is constructed from die-casting aluminum. The BOH-1100 is manufactured with and IP68 rated certification to provide protection from severe outdoor conditions to the enclosed camera.

### Built-in Heater and Fan

It also features a built-in heater and fan that controls the temperature of the enclosed camera. The fan operates between 25°C and 35°C, while the heater operates between 15°C and 25°C.

### Upgrade to PoE power with POM-1100!

The new Power over Ethernet module (POM-1100) lets you power your LevelOne outdoor housing using 100% PoE power. No more hassle with crimping and running wires. Just plug and play and you have enough power to run the fan, heater, camera and LEDs from a single power source\*.

Works with LevelOne's BOH-1100/1200/1300.

\*For best results, use a LevelOne high-power 40W PoE injector to ensure enough watts run to each IP cameras and accessories.



**POM-1100**  
PoE Module for  
BOH-1100/1200/1300



1



2

3

- 1. Heater
- 2. Mounting bracket
- 3. Fan

### Key Features

- Designed for Indoor/outdoor applications
- IP68 rated camera outdoor housing
- Lightweight for easy wall mounting
- High impact resistance
- Side opening
- Easy access for service and installation
- Withstands severe environment conditions
- Bundled cable-management bracket
- Works with either DC12V or AC24V power source
- PoE upgradable with POM-1100 module

### Works Well With



**FCS-1121**  
H.264 MegaPixel PoE Network  
Camera



**FCS-1131**  
H.264 2-Megapixel PoE Network  
Camera



### Technical Specifications

**Material**

Aluminum die-casting

**Regulation Rated**

IP68

**Housing Color**

Beige

**Power Consumption**

DC12V/2.5A or AC24V/2.5A

**Dimension**

Camera housing: 406(L) x 145(W) x 109(H) mm

Inside internal useable area for camera/lens: 220(L) x 100(W) x 65(H) mm

**Window Size**

76mm x 92mm

**Weight w/o Bracket**

2350g

**Support Cameras**

FCS-1101/1091/1121/1131/1141/1151

**Weight w/ Bracket**

2850g

**Max. Load of Bracket**

15kg

**Temperature**

Operating: -20°C ~50°C

**Humidity**

0%~95% (RH)

**Heater Operating**

Activates below 15°C (±5°C)

Deactivates over 25°C (±5°C)

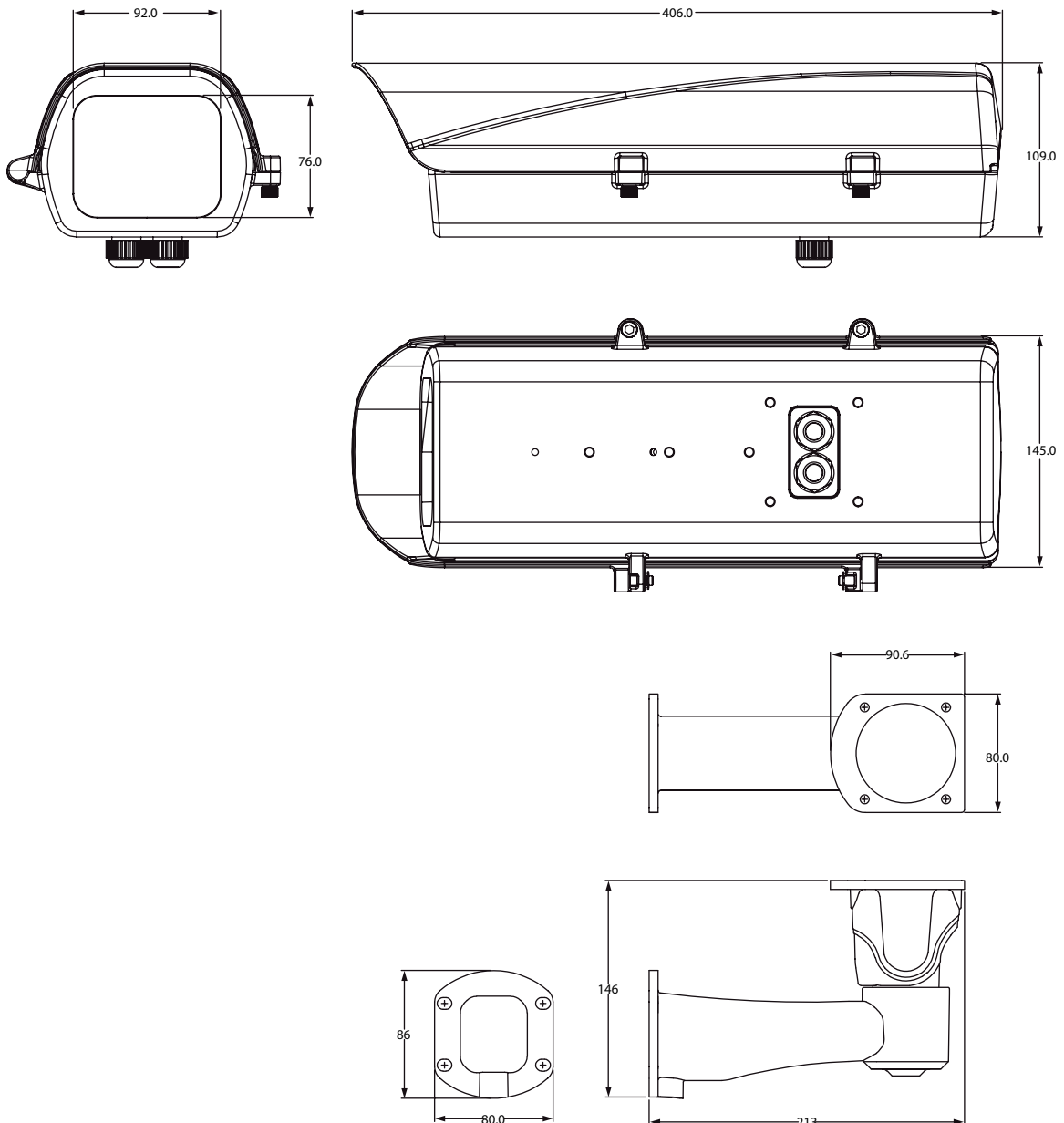
**Fan Operating**

Activates over 35°C (±5°C)

Deactivates below 25°C (±5°C)

\*the package donot include any power adapter.

### Dimension Diagram



## Order Information

### Package Content

## **BOH-1100:** Outdoor Housing for Box Cameras

BOH-1100  
Camera Bracket  
Screw Kit  
Quick Installation Guide

## Optional Accessories



**BOH-1001**  
Pole Mount kit



**POI-4000**  
High Power PoE Injector



**POM-1100**  
PoE Module for  
BOH-1100/1200/1300



**POR-1100**  
1-Port Outdoor PoE  
Repeater



**POR-1102**  
2-Port Outdoor PoE  
Repeater



**POS-4001**  
Outdoor High Power  
PoE Splitter (12V)



**POW-1201**  
DC12V/1.25A Switching  
Power Adapter



**PPM-1000**  
PoE Power Measurer