



## Outdoor Housing for Box Cameras (AC24V)



BOH-1000

H/W Version: 1

### Outdoor Housing for Box Cameras

The BOH-1000 is an outdoor housing to be used with the LevelOne IP Box Cameras and other box cameras.

### IP-66 Rated Housing

The BOH-1000 is a box-type outdoor housing and is constructed from die-casting aluminum. The BOH-1000 is manufactured with an IP-66 rated certification to provide protection from severe outdoor conditions to the enclosed camera.

### Built-in Heater and Fan

It also features a built-in heater and fan that controls the temperature of the enclosed camera. The fan operates between 25°C and 35°C, while the heater operates between 15°C and 25°C.



1



2

3

1. Heater
2. Mounting bracket
3. Fan

### Key Features

- Designed for Indoor/outdoor applications
- IP66 rated camera outdoor housing
- Lightweight for Mounting on the wall
- Easy access for service and installation
- Withstands severe environment conditions
- Low Cost

### Works Well With



**FCS-1081A**  
PoE IP Network Camera



**FCS-1091**  
Day/Night PoE IP Network Camera

## Technical Specifications

### Material

Aluminum die-casting

### Regulation Rated

IP66

### Housing Color

Beige

### Power Consumption

AC24V/1.5A

### Dimension

406(L) x 145(W) x 109(H) mm

### Window Size

76mm x 92mm

### Weight w/o Bracket

2350g

### Weight w/ Bracket

2850g

### Max. Load of Bracket

15kg

### Temperature

Operating: -20°C ~50°C

### Humidity

0%~95% (RH)

### Heater Operating

Activates at 15°C (±5°C)

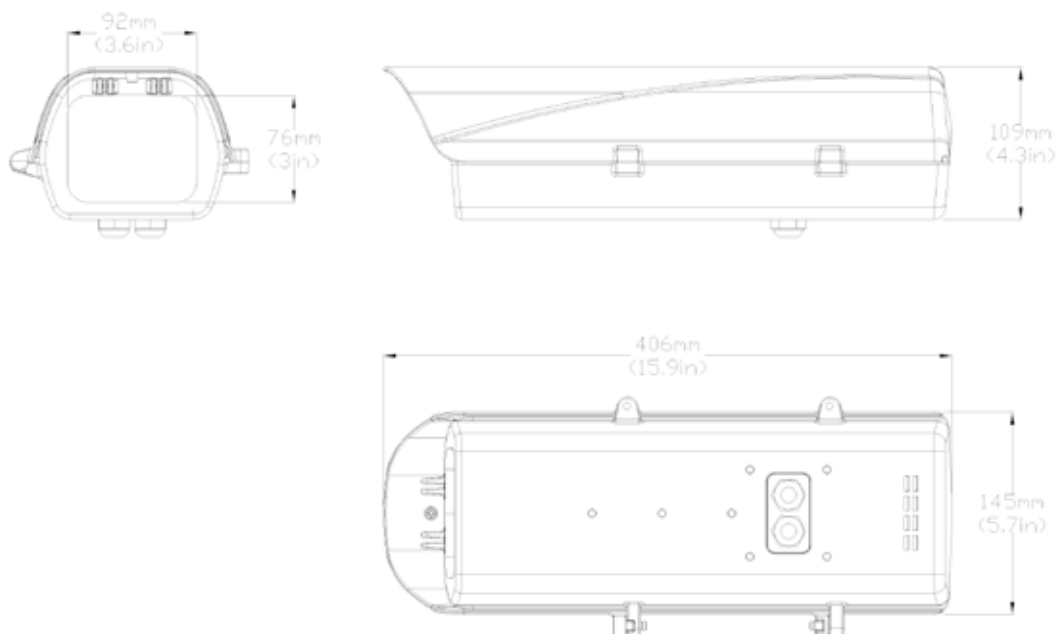
Deactivates at 25°C (±5°C)

### Fan Operating

Activates at 35°C (±5°C)

Deactivates at 25°C (±5°C)

## Dimension Diagram



## Order Information

**BOH-1000:** Outdoor Housing for Box Cameras (AC24V)

## Package Content

BOH-1000  
 Camera Bracket  
 Screw Kit  
 Quick Installation Guide