

Outdoor Housing for Box Cameras

Outdoor Housing for FCS-1081

The BOH-1000 is an outdoor housing to be used with the LevelOne FCS-1081 and FCS-1081 (A) PoE IP Cameras and other box cameras.

IP-66 Rated Housing

The BOH-1000 is a box-type outdoor housing and is constructed from die-casting aluminum. The BOH-1000 is manufactured with and IP-66 rated certification to provide protection from severe outdoor conditions to the enclosed camera.

Built-in Heater and Fan

It also features a built-in heater and fan that controls the temperature of the enclosed camera. The fan operates between 25°C and 35°C, while the heater operates between 15°C and 25°C.



BOH-1000

Related Products



FCS-1081 (A)
PoE IP Network Camera

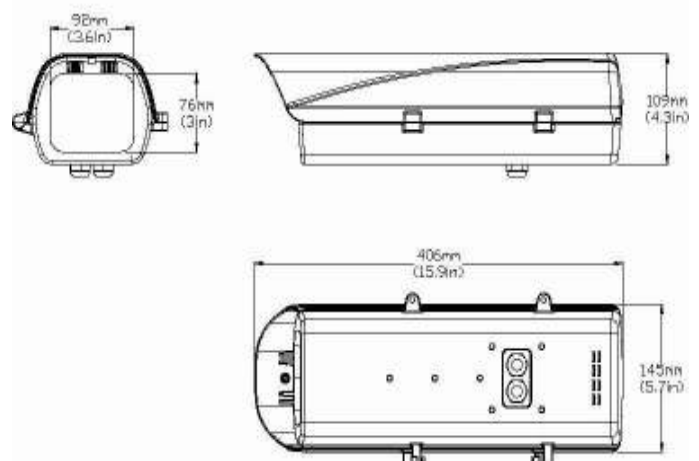


FCS-1091
Day/Night PoE IP Network Camera

Key Features

- Designed for Indoor/outdoor applications
- IP66 rated camera outdoor housing
- Lightweight for Mounting on the wall
- Easy access for service and installation
- Withstands severe environment conditions
- Low Cost

Dimensions



Technical Specification

- | | |
|--------------------------------------------------------------------------------------------------------------------------------------------------------------------------------------------------------------------------------------------------------------------------------------------------------------------------------|-----------------------------------------------------------------------------------------------------------------------------------------------------------------------------------------------------------------------------------------------------------------------------------------------------------------------------------------------------------|
| <ul style="list-style-type: none"> ▪ Regulation Rated
IP66 ▪ Housing Color
Beige ▪ Power Consumption
AC 24v ▪ Dimension
406(L) x 145(W) x 109(H)
mm ▪ Window Size
76mm x 92mm ▪ Weight
2.3kg | <ul style="list-style-type: none"> ▪ Temperature
Operating: -20°C ~50°C
Storage: -40°C ~60°C ▪ Humidity
0%~95% (RH) ▪ Heater Operating
Activates at 15°C (±5°C)
Deactivates at 25°C ▪ Fan Operating
Activates at 35°C (±5°C)
Deactivates at 25°C (±5°C) |
|--------------------------------------------------------------------------------------------------------------------------------------------------------------------------------------------------------------------------------------------------------------------------------------------------------------------------------|-----------------------------------------------------------------------------------------------------------------------------------------------------------------------------------------------------------------------------------------------------------------------------------------------------------------------------------------------------------|

Ordering Information

- BOH-1000: Outdoor Housing for box cameras