



# DVI Broadcasters with Audio



ADE-8208

HW Version: 1

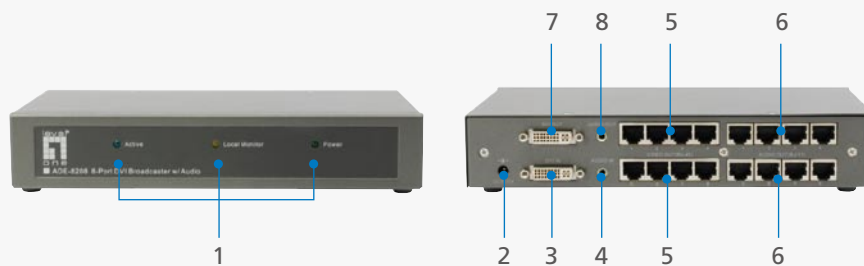
## LevelOne DVI-Broadcaster Series

The ADE-82xx DVI Broadcaster series from LevelOne is a cost-effective alternative to expensive systems currently available. Without losing resolution or sound quality, the LevelOne broadcaster series can broadcast DVI video signals over Cat5/5e/6 and stereo audio over 4-wire phone cabling to remote monitors at standard 1024x768 resolution 70 meters away.

Further, the broadcaster series has stackable capability to expand transmission of DVI signals

to additional viewing stations. By utilizing the multi port broadcasters (ADE-8202, 8204 and 8208), users can scale out the original DVI signal with audio to 81 remote monitor locations.

The single port transmitter (ADE-8201), coupled with the ADE-8002 long range DVI receiver, is able to transmit a DVI signal to a remote viewing station 70 meters away. Coupled with the short range receiver (ADE-8001) the single port transmitter transmits the DVI signal to a remote viewing station 15 meters away.



- 1. LED Indicators
- 2. Power Jack
- 3. DVI PC Port
- 4. Audio PC Port
- 5. RJ-45 to Receive Port (ADE-8002)
- 6. RJ-11 to Receive Port (ADE-8011)
- 7. DVI Console Port
- 8. Audio Console Port

## Key Features

- Transmits DVI signal via Cat.5/Cat.5e/Cat.6
- Transmits stereo audio via 4-wire phone cable
- DVI signal transmission distance up to 70 meters at 1024 x 768 resolution
- Supports high DVI resolution up to 1920 x 1200
- Easy installation and no software required

## Works Well With



**ADE-8011**  
Cat.5 Audio Transmitter/  
Receiver

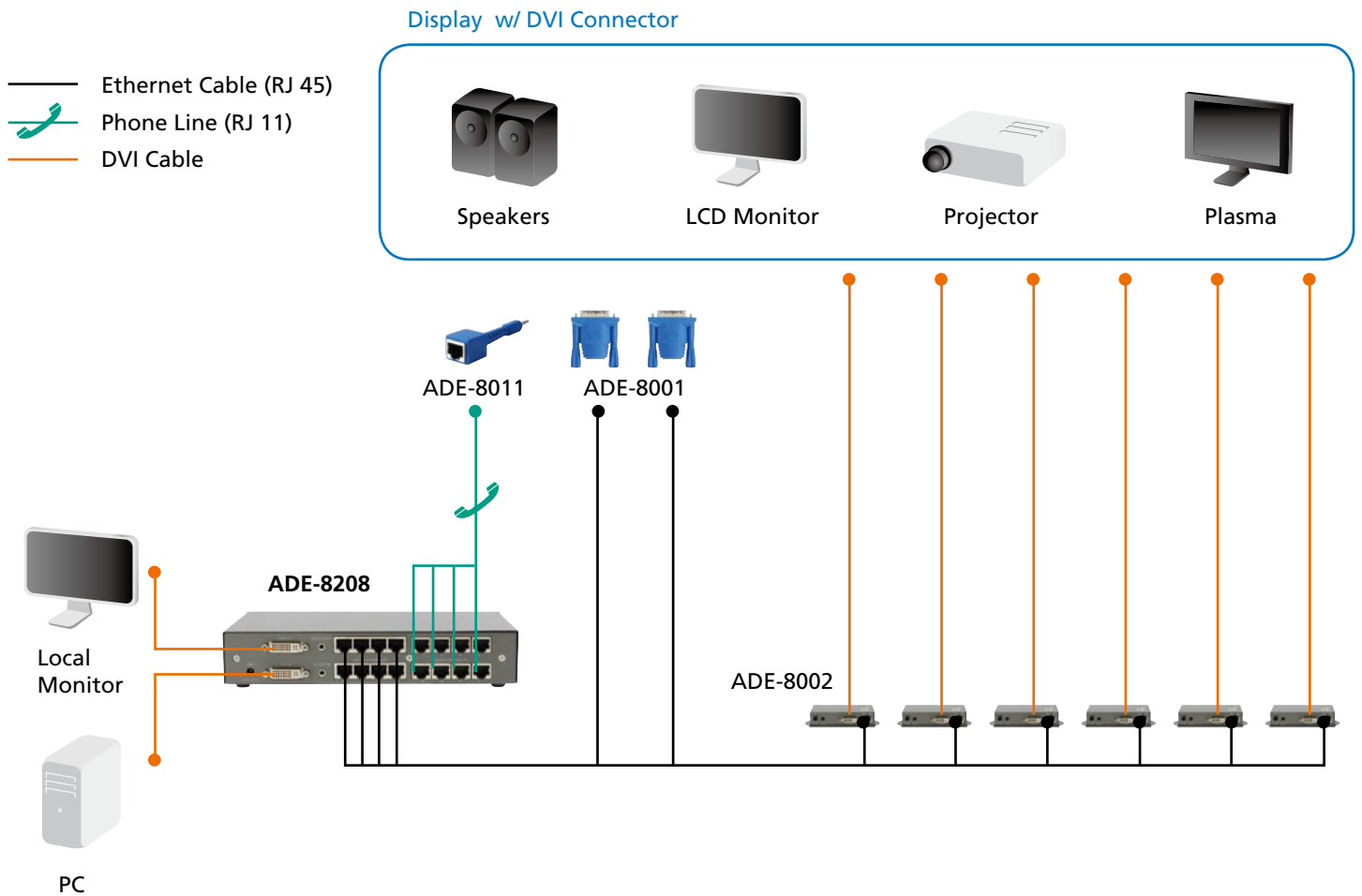


**ADE-8002**  
Long-Range DVI Receiver

### Technical Specifications

	DVI Transmitter			
Model No.	ADE-8201	ADE-8202	ADE-8204	ADE-8208
Product Name	1 Port DVI Transmitter	2 Port DVI Broadcaster with Audio	4 Port DVI Broadcaster with Audio	8Port DVI Broadcaster with Audio
RJ-45 AV Input	-	-	-	-
RJ-45 AV Output	1	2	4	8
DVI Input	1	1	1	1
DVI Output	-	1	1	1
Audio (RJ-11)Input	-	-	-	-
Audio(RJ-11)Output	-	2	4	8
Max Distance & Resolution	-			
Cascadable	-			
Signal Type	DVI-D			
Audio	Stereo			
Power Consumption	DC 5V, 250 mA	DC 5V,800 mA	DC 5V,3200 mA	DC 5V,3200 mA
Dimensions(mm)	58 x 40 x 17	194 x 87 x 24	240 x 130 x 44	240 x 130 x 44
Operating Temp.	0° C ~50° C	0° C ~60° C	0° C ~60° C	0° C ~60° C
Storage Temp.	0° C ~50° C	0° C ~60° C	0° C ~60° C	0° C ~60° C
Humidity	70% ~ 25%Non-Condensing			

### Product Diagram



**Order Information**

**ADE-8208:** 8-Port DVI Broadcaster with Audio

**Package Contents**

ADE-8208  
Power Adapter  
User Manual